

**PLEASE CHECK WWW.MOLEX.COM FOR LATEST PART INFORMATION**

**Part Number:** [1300550014](#)  
**Status:** **Active**  
**Overview:** Brad Industrial Ethernet Solutions  
**Description:** Brad RJ-Lnxx Ethernet Pass-Through RJ-11 Female Receptacle Shielded

**Documents:**

[Drawing \(PDF\)](#) [RoHS Certificate of Compliance \(PDF\)](#)

**General**

Product Family	Industrial Receptacles
Series	<a href="#">130055</a>
IP Rating	IP67
Overview	<a href="#">Brad Industrial Ethernet Solutions</a>
Product Name	Brad, RJ-Lnxx
Type	Bulkhead Feed-Through
UPC	78678846633

**Physical**

Coupling Type	External Thread
Gender	Female
Keyway	None
Length	N/A
Material - Component	ABS
Mounting Thread Size	1" - 14 UNC
Net Weight	23.250/g
Orientation	Straight
Panel Mount	N/A
Poles	N/A
Temperature Range - Operating	-20°C to +80°C
Wire Size AWG	N/A
Wire/Cable Type	N/A

**Electrical**

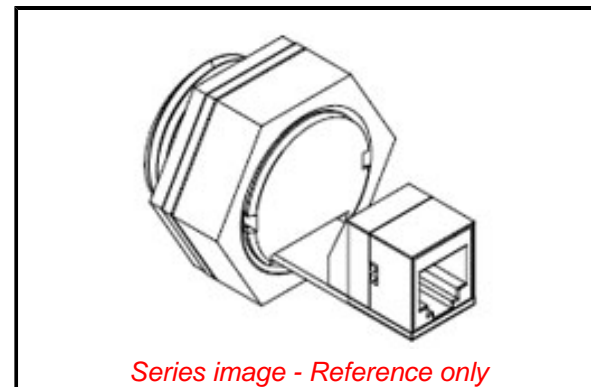
Current - Maximum per Contact	1.5A
Voltage - Maximum	125V DC

**Material Info**

Engineering Number	ENSP6F5
--------------------	---------

**Reference - Drawing Numbers**

Sales Drawing	SD-130055-001
---------------	---------------



**EU ELV**

**Not Relevant**

**EU RoHS**

**Not Relevant**

**REACH SVHC**

Not Relevant

**Halogen-Free**

**Status**

**Not Relevant**

**Need more information on product environmental compliance?**

Email [productcompliance@molex.com](mailto:productcompliance@molex.com)  
Please visit the [Contact Us](#) section for any non-product compliance questions.

China ROHS	Not Relevant
ELV	Not Relevant
RoHS Phthalates	Not Relevant

**China RoHS**

**Search Parts in this Series**

[130055 Series](#)