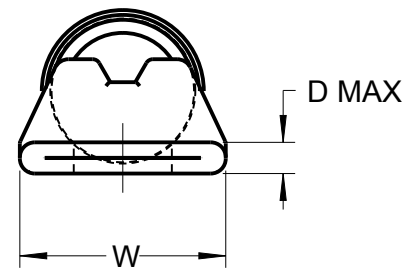
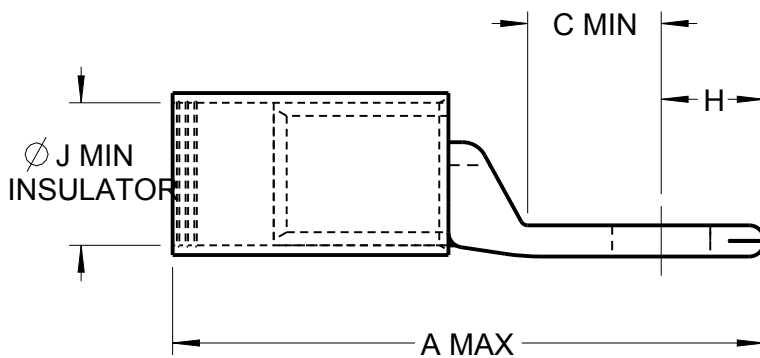
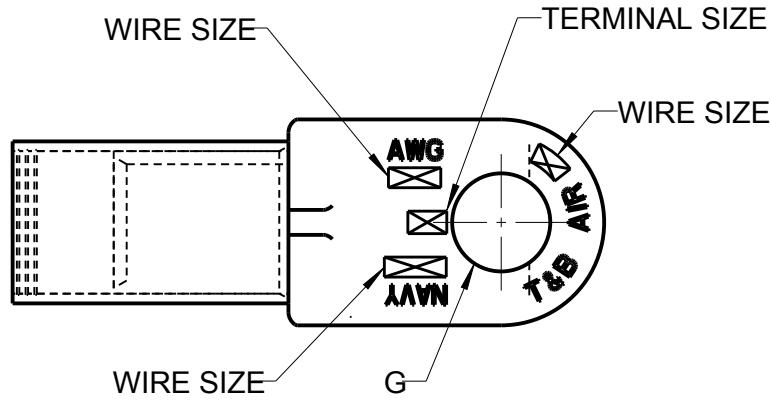




Sta-Kon®



QPL-7928 LISTED: TYPE II - CLASS 1 & CLASS 2

MATERIAL: COPPER

INSULATOR: NYLON, COLOR CODED

FINISH: ELECTRO TIN, MEETS THE REQUIREMENTS OF MIL-T-10727

UL LISTED & CSA CERTIFIED FOR 600-1000V, 221°F [105°C] MAX. TEMPERATURE

GENERAL NOTES		Thomas & Betts A Member of the ABB Group			
1. ALL DIMENSIONS ARE FOR REFERENCE ONLY. 2. DIMENSIONS IN BRACKETS [] ARE IN METRIC UNITS.					
REVISIONS		DESCRIPTION: INSULATED TERMINALS ONE PIECE DESIGN FOR AIRCRAFT WIRE			
1	SEE ERN (2017027) FOR APPROVAL SIGNATURES & RELEASE DATE. PROJECT NO: 029C000948	ORIGINAL PROJECT NO / (ERN NO) TM401347 / (2011304)	SHEET NO: 1 OF 2	REV. NO: 1	DRAWING NO: WSD-000543

CATALOG NUMBER	AS25036 DASH NO.	WIRE SIZE	G BOLT SIZE	A MAX	W	C MIN	D MAX	H	∅ J MIN
RG9711	-126	#2 AIR	1/4"	2.07 [52,6]	.69 [17,5]	.39 [9,9]	.11 [2,8]	.34 [8,6]	.45 [11,4]
RG9731	-127		3/8"						
RG9751	-128		1/2"						
RH9711	-129	#1 AIR	1/4"	2.15 [54,6]	.76 [19,3]	.49 [12,4]	.13 [3,3]	.38 [9,7]	.51 [13,0]
RH9731	-130		3/8"						
RH9751	-131		1/2"						
RJ9711	-132	#1/0 AIR	1/4"	2.40 [61,0]	.83 [21,1]	.49 [12,5]	.13 [3,3]	.41 [10,4]	.56 [14,2]
RJ9731	-133		3/8"						
RJ9751	-134		1/2"						
RK9721	-135	#2/0 AIR	5/16"	2.53 [64,3]	.93 [24,6]	.48 [12,3]	.13 [3,3]	.47 [11,9]	.62 [15,8]
RK9731	-136		3/8"						
RK9751	-137		1/2"						
RL9731	-138	#3/0 AIR	3/8"	2.81 [71,4]	1.03 [26,2]	.54 [13,8]	.14 [3,6]	.51 [13,0]	.69 [17,5]
RL9751	-139		1/2"						
RM9731	-140	#4/0 AIR	3/8"	3.03 [77,0]	1.13 [28,7]	.58 [14,7]	.15 [3,8]	.56 [14,2]	.75 [19,1]
RM9751	-141		1/2"						

CATALOG NUMBER	COLOR CODE	INSTALLING TOOLS		
		MS25441-1 HYDRAULIC HEAD WITH DIE SET	13642M HYDRAULIC HEAD WITH DIE SET	TBM6, TBM6S HAND TOOLS, 25000 AIR TOOL WITH DIE SET
RG9711	RED	MS23002-2	21710M	11824
RG9731				
RG9751				
RH9711	CLEAR TO WHITE	MS23002-1	21711M	11825
RH9731				
RH9751				
RJ9711	BLUE	MS23002-1	21712M	11826
RJ9731				
RJ9751				
RK9721	YELLOW	MS23002-2	21713M	11827
RK9731				
RK9751				
RL9731	RED	MS23002-3	21714M	11828
RL9751				
RM9731	BLUE	MS23002-4	21715M	11829
RM9751				

Thomas & Betts
A Member of the ABB Group

www.tnb.com

DESCRIPTION: **INSULATED TERMINALS
ONE PIECE DESIGN FOR AIRCRAFT WIRE**

SHEET NO: 2 OF 2	REV. NO: 1	DRAWING NO: WSD-000543
---------------------	---------------	---------------------------