

Code Keeper® extra-duty metal  
weatherproof while-in-use covers

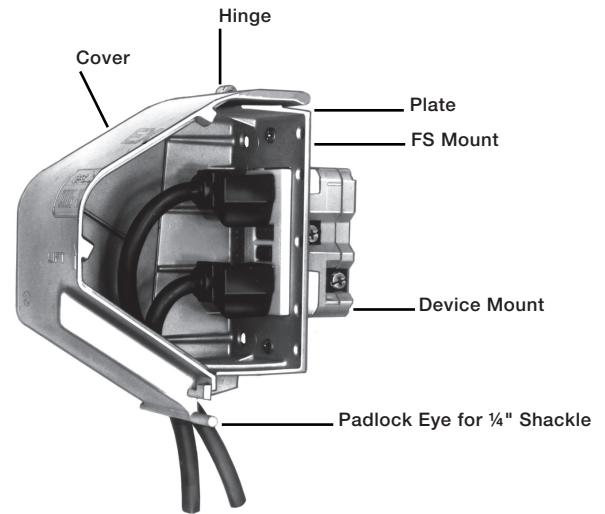


# One cover handles GFCI, single, duplex or switch configurations

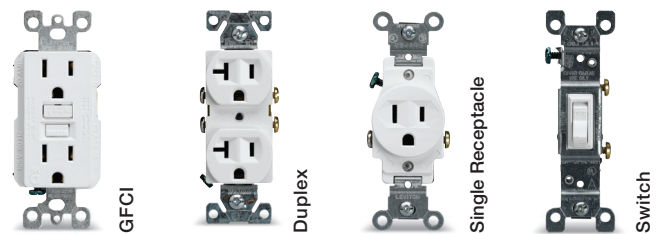
Red•Dot® Code Keeper® Extra-Duty While-in-Use Covers make it easier than ever to comply with National Electrical Code® (NEC) requirements for installing receptacles in wet locations. Preconfigured for GFC—the industry’s most common configuration—each cover ships with adapter plates to accommodate single or duplex receptacles and switches. Now, contractors can handle any application they encounter without needing dozens of different covers.

- Complies with NEC® Section 406.9 (B) (1) and 590.4 (D) (2) for Extra-Duty outlet box hoods—now required in wet locations
- Wide range of cover depths and receptacle configurations accommodates almost every common plug and cord size
- Key-hole mounts on back make installation fast and efficient (not available on CKLSVU)
- Combination box or device-mounting design provides flexibility in installation
- Durable latching covers prevent accidental equipment disconnects, reduce tampering and deter theft
- Lockable covers comply with OSHA lockout/tagout requirements
- Clearly visible UL® and CSA markings speed approval by inspectors
- Complies with NEC® Section 406.9 (B) (1) for unattended in-use plugs in wet locations
- Two adapter plates included with single-gang covers, four adapter plates included with two-gang covers

## Cover construction



## Accommodates multiple device configurations\*



\* Device not included



## Red•Dot® Code Keeper® extra-duty while-in-use covers

Cat. Number	Description	Std. Pkg. Qty.
<b>Single-Gang</b>		
CKSUV	Vertical cover, 2 1/4" internal depth	8
CKMUV	Vertical cover, 3 1/4" internal depth	6
CKLSVU	Vertical cover, 4 3/4" internal depth (For 1.594" to 2.125" round receptacles only)	2
CKMU	Horizontal cover, 3 1/4" internal depth	3
<b>Two-Gang</b>		
2CKU	Vertical Cover, 4 1/4" internal Depth	2

Please ask your Thomas & Betts sales representative for a complete catalog of quality Thomas & Betts electrical products or visit us at [www.tnb.com](http://www.tnb.com). For customer service, call 1-800-816-7809. For technical questions, call 1-888-862-3289.

© 2016, 2015 Thomas & Betts Corporation. All rights reserved. Printed in the U.S.A.  
09/16 GM8149

Thomas & Betts Corporation  
Electrification Products  
8155 T&B Boulevard  
Memphis, TN 38125  
901-252-5000  
[www.tnb.com](http://www.tnb.com)

**Thomas & Betts**  
A Member of the ABB Group