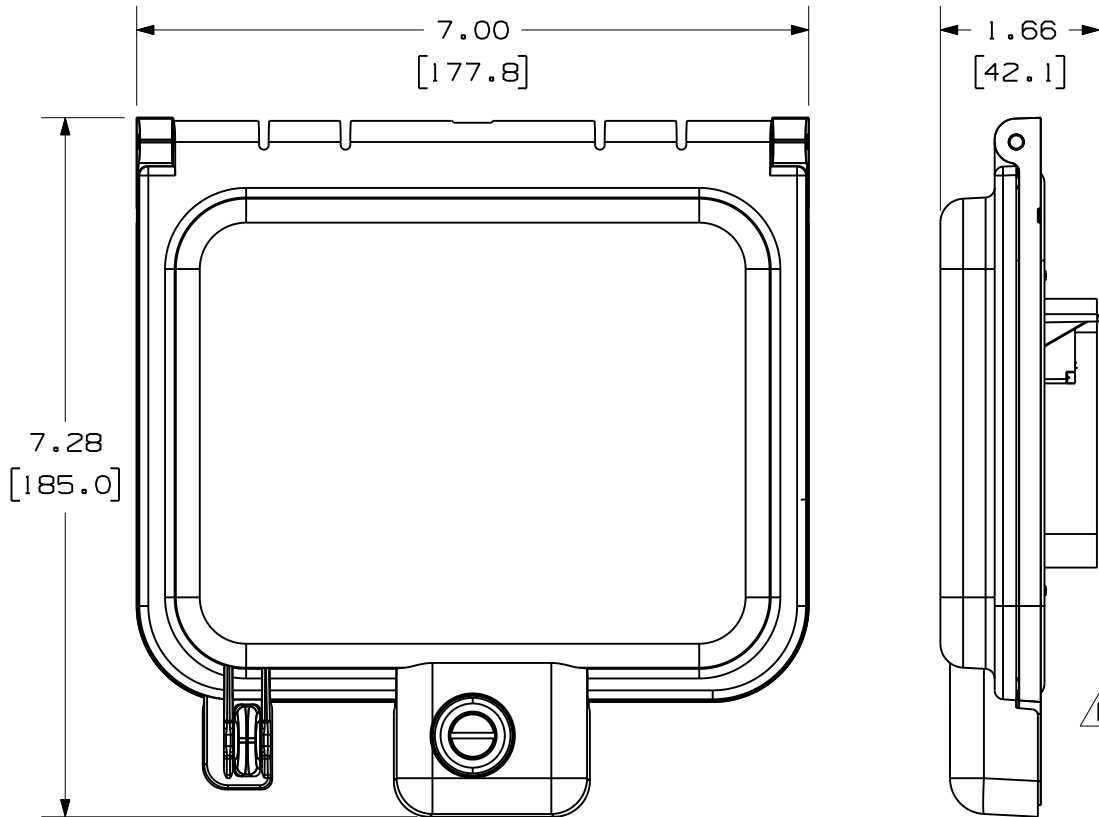


THIS COPY IS PROVIDED ON A RESTRICTED BASIS AND IS NOT TO BE USED IN ANY WAY DETRIMENTAL TO THE INTERESTS OF PANDUIT CORP.

PANDUIT P/N	WEIGHT
1APNG5EWH	1.52 LB/EACH PC (691.2 g/EACH PC)



NOTES:

- SEE CURRENT CATALOG FOR ADDITIONAL PART NUMBER SUFFIXES TO INDICATE COLOR AND OR PACKAGE QUANTITY.
- SEE CATALOG FOR COMPLETE LIST OF PARTS APPLICABLE FOR USE WITH THIS PART.
- DIMENSIONS IN ( ) ARE IN METRIC.
- PART INCLUDES:
  - 1- INDUSTRIALNET DATA ACCESS PORT △ B
  - 1- NORTH AMERICAN FACEPLATE
  - 1- 1/4-20 MOUNTING SCREW KIT (INCLUDES 4 SCREWS AND 4 HEX FLANGE NUTS WITH PAINT PIERCING SERRATIONS)
  - 1- #6-32 OUTLET MOUNTING SCREW KIT (INCLUDES 2 #6-32 TRILOBULAR SCREWS)
  - 1- 15 AMP GFCI DUPLEX RECEPTACLE
  - 2- PANDUIT 1/3 FLAT BLANK INSERT (1APHB2MWH-X)
  - 1- PANDUIT 1/3 FLAT 2 POSITION INSERT (1APHF2MWH-X)
  - 1- PANDUIT CATEGORY 5E RJ45 TO RJ45 COUPLER MODULE (1AECC5EBL)
  - 1- PANDUIT MINI-COM BLANK MODULE (1APCMBWH-X)
- OPTIONAL LABELS AVAILABLE △ E

RECOMMENDED INSERTS	
2 POSITION 1/3 INSERT	1APHF2MWH-X
BLANK 1/3 INSERT	1APHB2MWH-X
BLANK MODULE	1APCMBWH-X

MODEL FILENAME	M03063AE/03	SIZE <b>A</b>
DRAWING FILENAME	M03063AE_DC/03B	

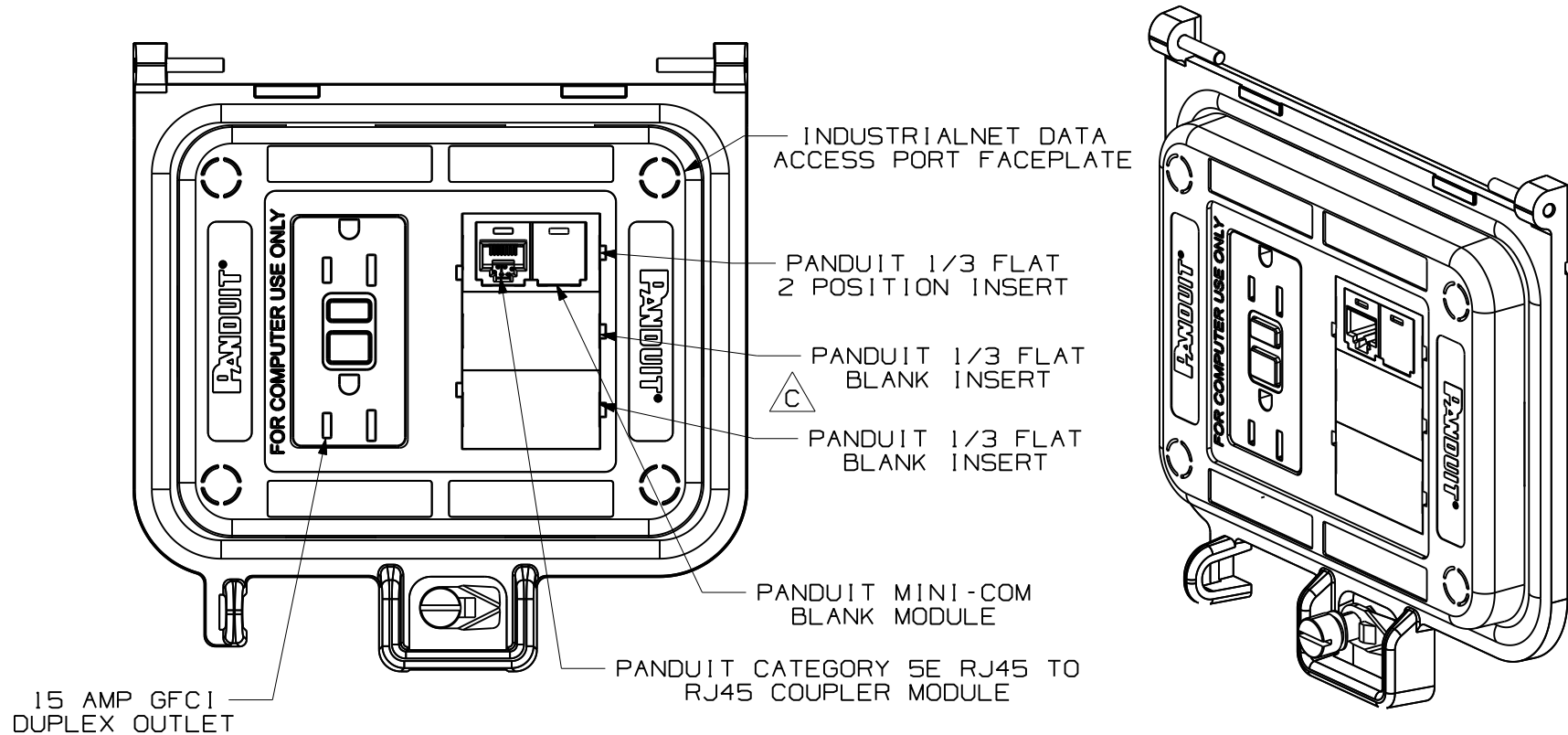
REV	DATE	BY	CHK	DESCRIPTION	ECN	R	CUST	SUP	OTH
3	5-17-10	BJN	JCO	G. ADDED RECOMMENDED INSERTS TABLE F. REVD P/N'S IN NOTE 4	03063-30	JCO	JCO		
2	1-21-10	BJN	JCO	E. ADDED NOTE 5 D. UPDATED CAD MODEL TO REV 03	03063-30	JCO	JCO		
1	9-30-09	BJN	JCO	C. RELABELED 1/3 FLAT INSERTS B. REMVD "FACEPLATE" A. UPDATED CAD MODEL TO REV 02	03063-30	JCO	JCO		
R	2-4-09	JsP	JCO	RELEASED TO PRODUCTION	03063-30	JCO	JCO		


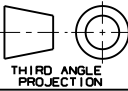
INDUSTRIALNET ACCESS PORT WITH GFCI RECEPTACLE AND CATEGORY 5E COUPLER  
CUSTOMER DRAWING

 TINLEY PARK, IL 60487		I.I. NUMBER	N/A
		PRODUCT SPEC/ PKG SPEC	N/A
 ALL DIMENSIONS ARE GIVEN IN INCHES, UNLESS OTHERWISE SPECIFIED. DIMENSIONAL TOLERANCES ARE: (.X) ± (.XXX) ± .010(.3) (.XX) ±.03(.8) ANGLES ±		ASSY METHOD/ TEST METHOD	N/A
		SCALE	NONE
DRAWN BY	JsP	MAT'L	
DATE	2-4-09	BASE: ALUMINUM FACEPLATE: ABS COVER: POLYCARBONATE	PART NO. 1APNG5EWH
CHK'D	JCO		DRAWING NO. 03063-30 SHEET 1 OF 2

THIS COPY IS PROVIDED ON A RESTRICTED BASIS AND IS NOT TO BE USED IN ANY WAY DETRIMENTAL TO THE INTERESTS OF PANDUIT CORP.

VIEWS SHOWN WITH ALL COMPONENTS INSTALL.  
COVER REMOVED FOR CLARITY.



MODEL FILENAME		M03063AE/03	SIZE <b>A</b>	
DRAWING FILENAME		M03063AE_DC/03B		
INDUSTRIALNET ACCESS PORT WITH GFCI RECEPTACLE AND CATEGORY 5E COUPLER CUSTOMER DRAWING				
 TINLEY PARK, IL 60487		I.I. NUMBER		N/A
		PRODUCT SPEC/ PKG SPEC		N/A
 THIRD ANGLE PROJECTION		ASSY METHOD/ TEST METHOD		N/A
		SCALE		NONE
DRAWN BY		REVIEW DRAWING NUMBERS		PART NO. <b>I APNG5EWH</b>
DATE		MAT'L		
CHK'D		SEE SHEET 1 OF 2		DRAWING NO. <b>03063-30 SHEET 2 OF 2</b>

REV	DATE	BY	CHK	DESCRIPTION	ECN	R	CUST	SUP	OTH
3	5-17-10	BJN	JCO	SEE SHEET 1 FOR REVISION HISTORY	03063-30	JCO	JCO		
2	1-21-10	BJN	JCO	SEE SHEET 1 FOR REVISION HISTORY	03063-30	JCO	JCO		
1	9-30-09	BJN	JCO	SEE SHEET 1 FOR REVISION HISTORY	03063-30	JCO	JCO		
R	2-4-09	JsP	JCO	RELEASED TO PRODUCTION	03063-30	JCO	JCO		