

17R23-B

Brand Features

The 17 Series Taper Nose connectors withstand grueling, heavy-duty industrial use. Applications include generator test stations, water purification plants, electro-chemical machining equipment and other general industrial uses.

Item Description

17 Series Male Panel Receptacle, Cam-Type, 30-Degree, Taper Nose, Threaded Stud, Industrial Grade, 250-750MCM, 690 Amp - BLUE



UPC Code: 07847799204

Technical Information

Electrical Specifications

Max. Amperage: 690 Amp

Max. Voltage: 600 Volt

Material Specifications

Sleeve Material: Santoprene TPV

Contact Material: Brass

Mechanical Specifications

Gender: Male

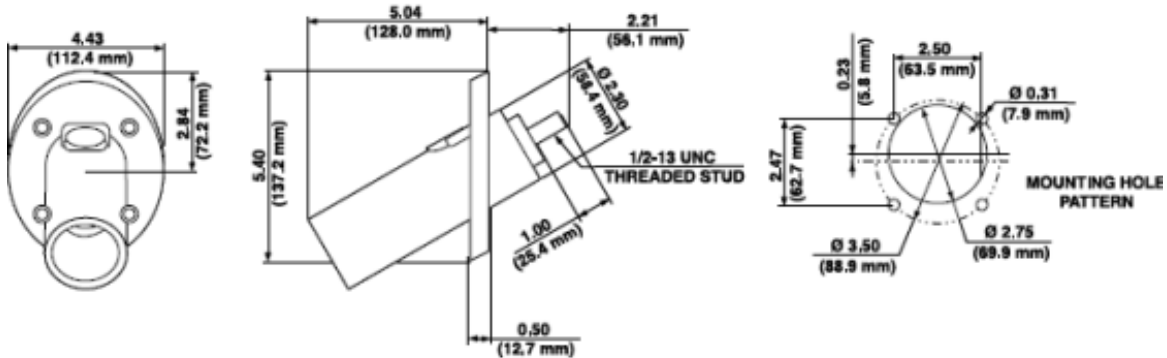
Connection Type: Threaded Stud

Cable Range: 250-750MCM AWG

Product Features

Cable Range: 250-750MCM AWG

Color: Blue



Male Panel Receptacle Threaded Stud – 30°

SPECIFICATION SUBMITTAL

JOB NAME:	CATALOG NUMBERS:	
<input type="text"/>	<input type="text"/>	<input type="text"/>
JOB NUMBER:	<input type="text"/>	<input type="text"/>

Leviton Manufacturing Co., Inc.

201 North Service Road, Melville, NY 11747

Teléfono: +1-800-323-8920 · FAX: +1-800-832-9538 · Tech Line (8:30AM-7:30PM E.S.T. Monday-Friday): +1-800-824-3005

Leviton Manufacturing of Canada, Ltd.

165 Hymus Boulevard, Pointe Claire, Quebec H9R 1E9 · Telephone: +1-800-469-7890 ·

FAX: +1-800-824-3005 · www.leviton.com/canada

Leviton S. de R.L. de C.V.

Lago Tana 43, Mexico DF, Mexico CP 11290 · Tel.: (+52)55-5082-1040 · FAX: (+52)5386-

1797 · www.leviton.com.mx

Visit our Website at: www.leviton.com

© 2018 Leviton Manufacturing Co., Inc. Todos los derechos reservados. Subject to change without notice.

Leviton has a global presence.

If you would like to know where your local Leviton office is located please go to:

www.leviton.com/international/contacts/

