

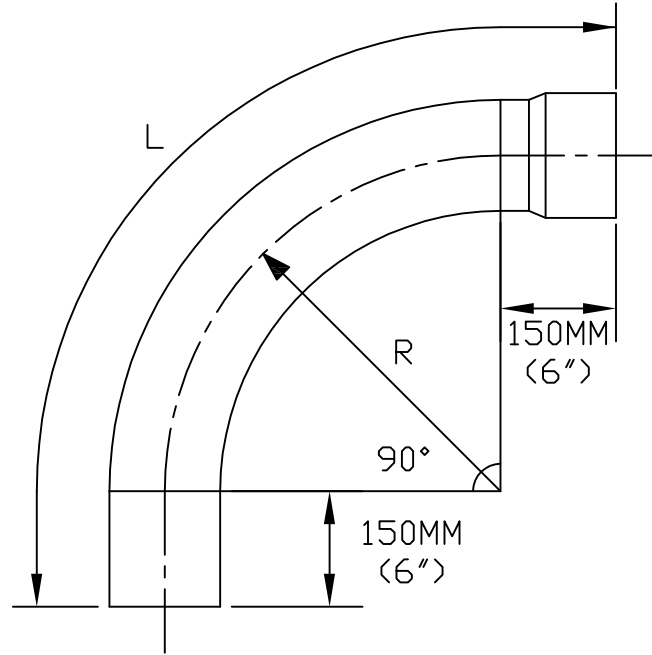
RIGID PVC CONDUIT
CONDUIT RIGIDE EN PVC

90° SCH40 BEND BE / 90° SCH40 COUDE MXH

ISSUE DATE: 2009 04 08
DATE D'EMISSION:

SUPERSEDES: 2007 06 04
REPLACE:

LONG RADIUS/ LONG RAYON



CODE	Size Grosueur	L Ref.	R Ref.
# 068054 # 068954 # 078531	53mm (2")	1740mm (68.50")	914mm (36.0")
# 068030	53mm (2")	1264mm (49.75")	610mm (24.0")
# 068955	63mm (2.5")	1264mm (49.75")	610mm (24.0")
# 068036	78mm (3")	1264mm (49.75")	610mm (24.0")
# 068058 # 068953 # 078534	78mm (3")	1740mm (68.50")	914mm (36.0")
* 069275 # 078264	103mm (4")	1264mm (49.75")	610mm (24.0")
# 068072 # 068952	103mm (4")	1740mm (68.50")	914mm (36.0")
# 068099	150mm (6")	2286mm (90.0")	1219mm (48.0")

#- UL APPROVED / APPROUVES

L-LENGTH OF PIPE BEFORE BENDING / LONGUEUR DU TUYAU AVANT D'ETRE COURBE

*- CSA CERTIFIED / CERTIFIE