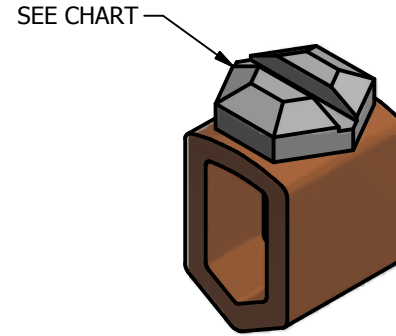
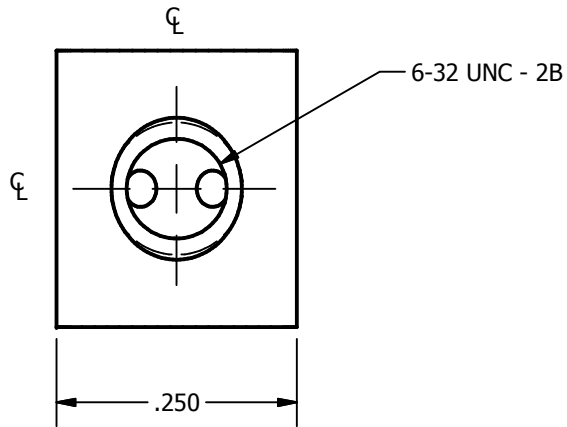
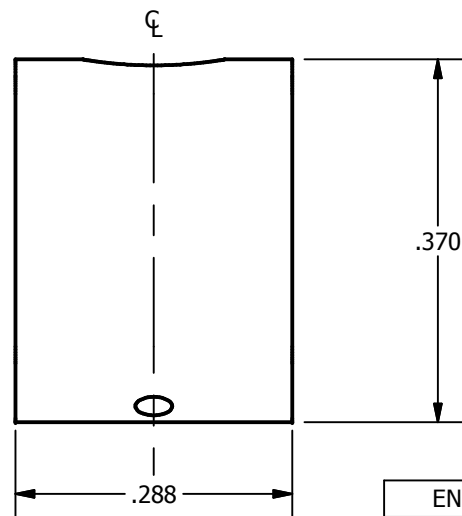
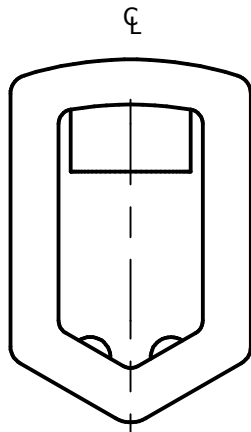


SCREW: SEE CHART	MATERIAL: COPPER	REV: S	ILSCO connections matter 800-776-9775 www.ilsco.com	
CAT. NO.: SEE CHART	PLATING: SEE CHART	DRAWN BY: JG	SCALE: 5:1	DWG. NO. D0010-02
INFORMATION SHEET: NONE	MARKING: ILSCO SX-12 12 STR	DATE: 5/9/2007	SIZE: A	



SCALE 3 : 1



END USE	SCREW	PLATING
CC-SX-12	E0080	BRIGHT DIP
SX-12	E0080	BRIGHT DIP
D0010A02B	E0080	BRIGHT DIP
D0010C02T	NONE	EL-TIN
D0010C02B	NONE	BRIGHT DIP