

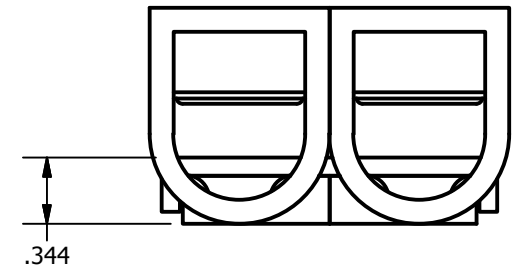
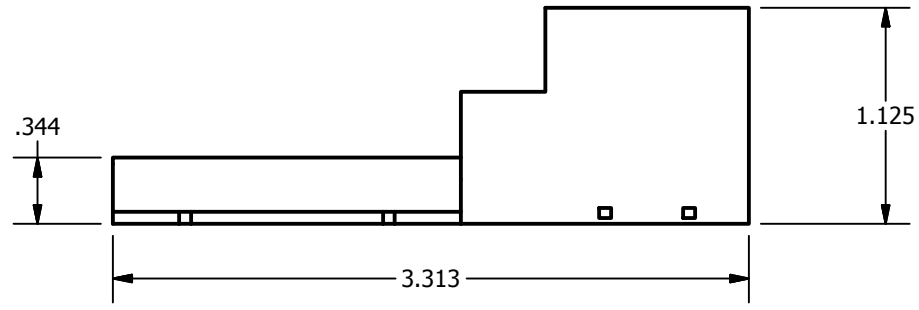
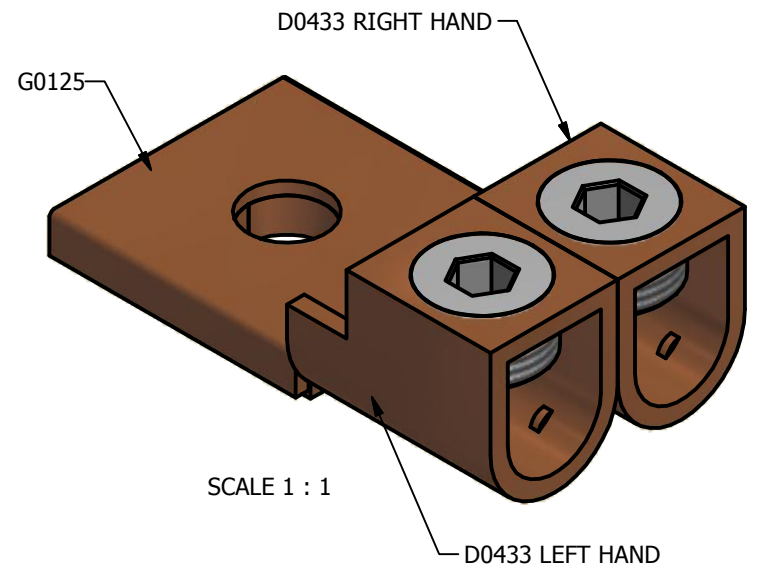
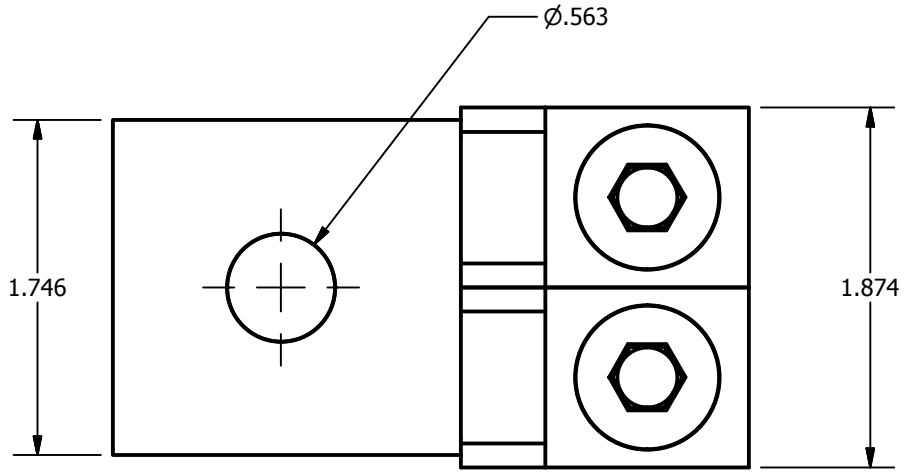
SCREW: E0117
 CAT. NO.: SEE CHART
 INFORMATION SHEET: SEE CHART

MATERIAL: NONE
 PLATING: NONE
 MARKING: NONE

REV. O
 DRAWN BY: CLH SCALE: 1:1
 DATE: 6/23/2008 SIZE: A



DWG. NO. M0108
 SHEET 1 OF 1



DEV	Column 1	FORM #
B00B	MU-350	FORM 1
B00T	A00T	NONE