
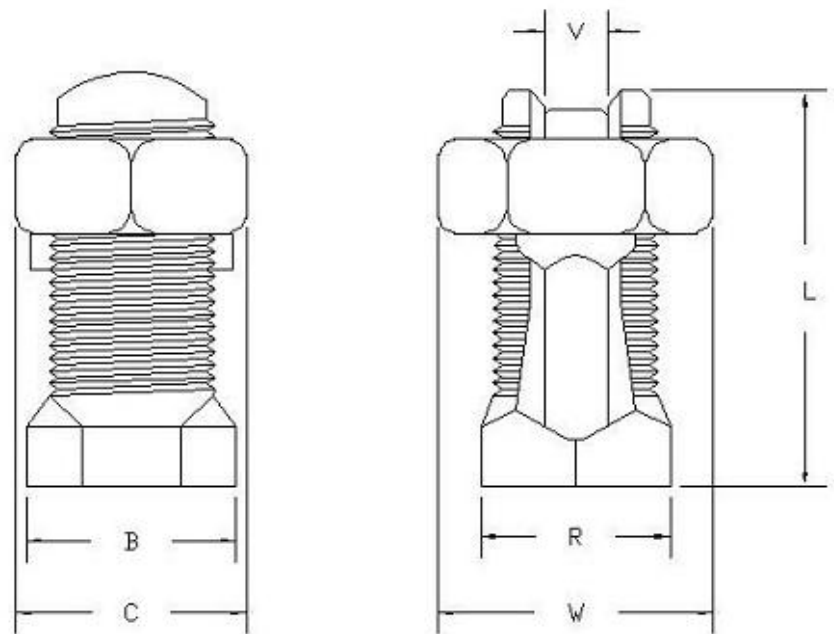


SCREW: NONE	MATERIAL: NONE	REV: D	 800-776-9775 www.ilSCO.com		
CAT. NO.: SEE CHART	PLATING: NONE	DRAWN BY: CLH			SCALE: NONE
INFORMATION SHEET: FORM 165	MARKING: SEE DWG	DATE: 3/3/2009			SIZE: B
			DWG NO:	K0256-K0269	
			SHEET:	1 OF 1	



CATALOG NUMBER	BODY (CUSTOMER PN)	NUT AND TONGUE (CUSTOMER PN)	B	C	L	R	V	W REF	PUC REF NO
IK-10	0L56-54723-01	0U00-53368-01	.430	.500	(.720)	.340	.125	.580	S-10
IK-8	0L56-54723-02	0U00-53368-02	.500	.500	(.840)	.380	.145	.580	S-8
IK-6	0L56-54723-03	0U00-53368-03	.550	.630	(1.050)	.500	.165	.720	S-6
IK-4	0L56-54723-04	0U00-53368-04	.620	.690	(1.050)	.560	.215	.790	S-4
IK-3	0L56-54723-05	0U00-53368-05	.780	.810	(1.320)	.690	.328	.940	S-3
IK-2	0L56-54723-06	0U00-53368-06	.780	.810	(1.320)	.690	.328	.940	S-2
IK-1/0	0L56-54723-07	0U00-53368-07	.870	.880	(1.640)	.750	.377	1.010	S-1/0
IK-2/0	0L56-54723-08	0U00-53368-08	.930	1.000	(1.820)	.810	.420	1.150	S-2/0
IK-3/0	0L56-54723-09	0U00-50829-80	(1.080)	1.130	2.000 MAX	.880	.470	1.300	S-3/0
IK-250	0L56-54723-10	0U00-50829-47	(1.210)	1.310	2.080 MAX	1.000	.580	1520	S-4/0-250
IK-350	0L56-54723-11	0U00-50829-55	(1.730)	1.630	2.630 MAX	1.500	.746	1.880	S-350
IK-500	0L56-54723-12	0U00-50829-53	(1.880)	1.810	3.000 MAX	1.630	.834	2.090	S-500
IK-750	0L56-54723-13	0U00-53368-51	(2.240)	2.130	3.750 MAX	1.940	1.030	2.450	S-750
IK-1000	0L56-54723-14	0U00-53368-49	(2.600)	2.500	4.000 MAX	2.250	1.220	2.890	S-1000

