
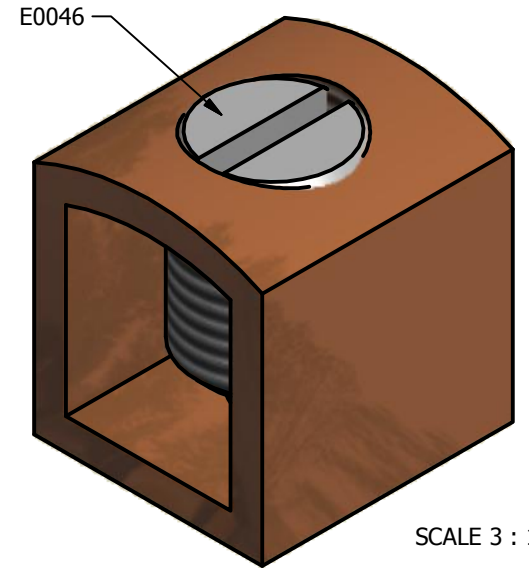
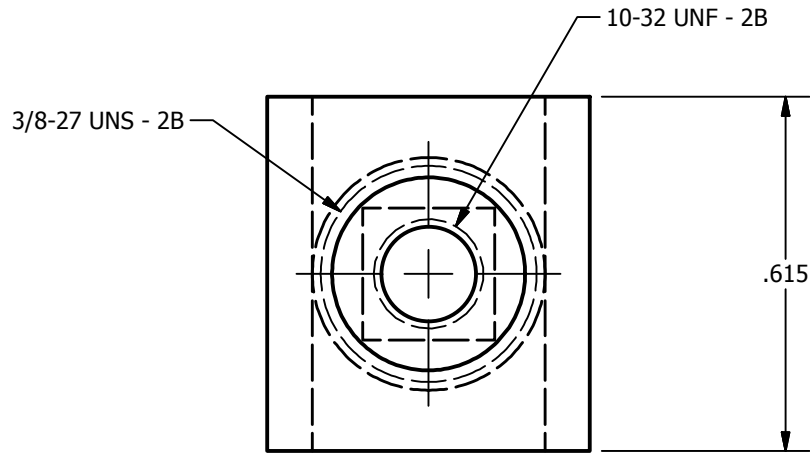


SCREW: E0046	MATERIAL: COPPER	REV: L	ILSCO connections matter	
CAT. NO.: C05SP	PLATING: BRIGHT DIP	DRAWN BY: CLH	SCALE:3:1	800-776-9775 www.ilsco.com
INFORMATION SHEET: FORM 1	MARKING: ILSCO, D-42, C05 S9, 6-0, 	DATE:5/16/2008	SIZE: A	DWG. NO. D0042
				SHEET: 1 OF 1



SCALE 3 : 1

