

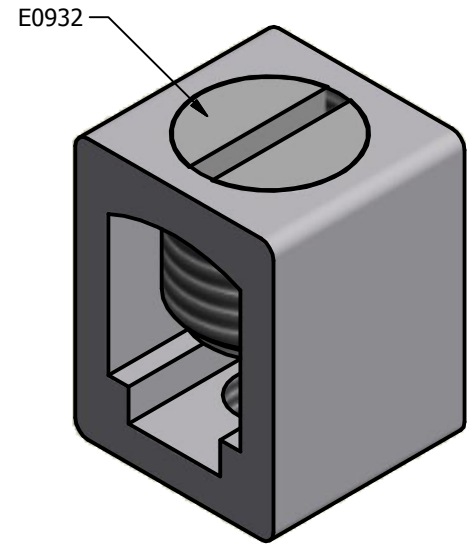
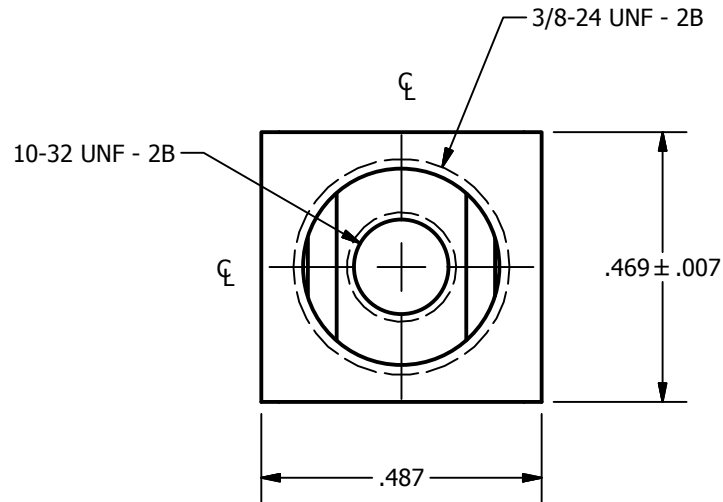


SCREW: E0932	MATERIAL: ALUMINUM	REV: P	 800-776-9775 www.ilsco.com
CAT. NO.: CA4RP	PLATING: EL-TIN	DRAWN BY: CLH SCALE:3:1	
INFORMATION SHEET: FORM 1	MARKING: ILSCO, AL9CU, 2-14, D1666, CA4-RP, 	DATE:6/9/2008 SIZE: A	
		DWG. NO. <b>D1666-22</b>	
		SHEET: 1 OF 1	



SCALE 3 : 1

