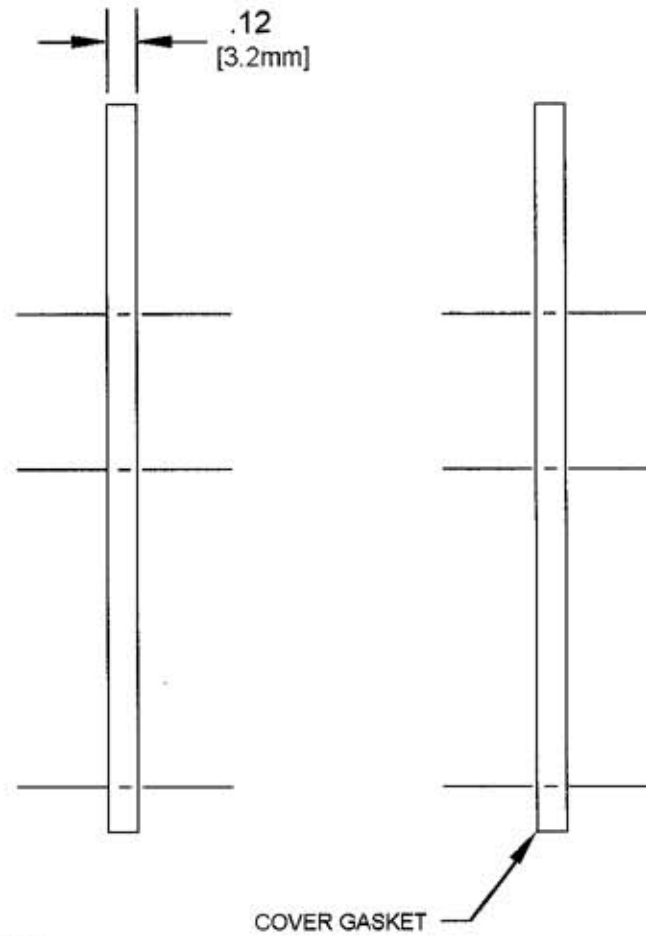
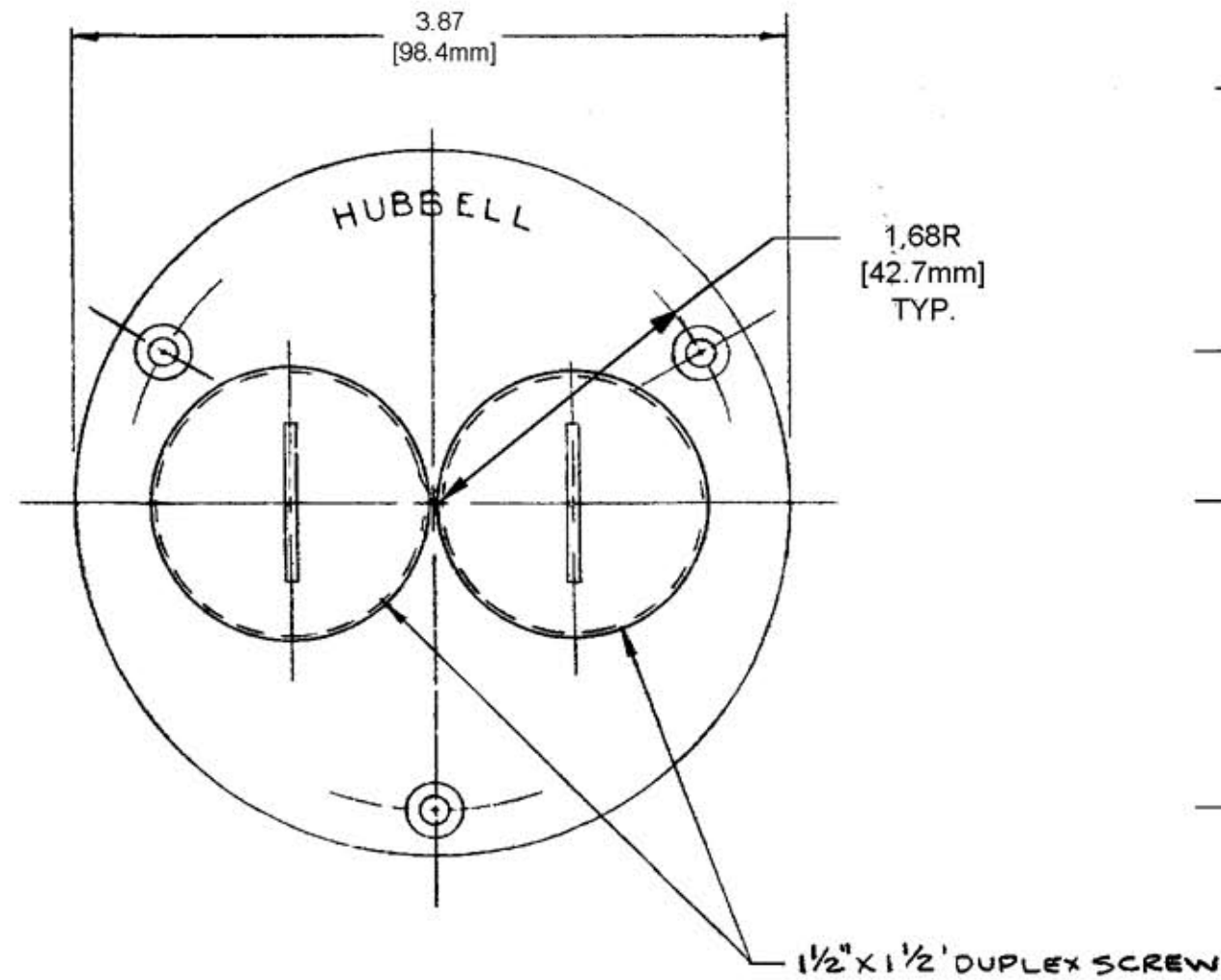


M-7506 | 3



MATERIAL			
CATALOG NO	COVER	FLUSH CAP	FLAT HD SCREW
S 3725	BRASS	BRASS	BRASS
SA 3725	ALUMINUM	ALUMINUM	STAINLESS STEEL

NOTE: INCHES [mm]

LIST OF PARTS

DESCRIPTION	MATERIAL	FINISH
COVER PLATE	SEE TABLE	BRUSHED
FLUSH CAPS	SEE TABLE	NATURAL
COVER GASKET	UL LISTED ELASTOMER	BLACK
FLAT HEAD SCREW	SEE TABLE	NATURAL

SYM	REVISIONS	APP	DATE
3	3/13/03 MATERIAL, ULLISTED ELASTOMER WAS RUBBERIZED ASBESTOS. PER DCN 10626	SM	3/14/03 SPN
2	CONVERT DIMS. TO DECIMAL AND METERIC EQUIVALENTS. TITLE WAS "COMBINATION COVER FOR SINGLE RECEPTACLE OR SERVICEFITTING. ADD END VIEW PER DCN 8898	TCM	8/3/01 SPN
1	ADDED MATERIAL FOR COVER, FLUSH CAPS & FL HD SCR TO JOB. S. & FINISH TO PT LIST GASKET WAS RUBBER	SM	1-23-90 AJL

TITLE
ROUND FLOORBOX COVER
FOR DUPLEX RECEPTACLE

TOLERANCES UNLESS
OTHERWISE SPECIFIED
FRACTIONS ± 1/64
DECIMALS ± .005
ANGLES ± 2°

HARVEY HUBBELL, INC.
BRIDGEPORT CONN
DR BY ASM APP BY JNC
TR BY _____ SCALE 1=1
ORD BY _____ DATE 6-27-22

CODE 74545

DIMENSION SHEET FOR CAT NO. SEE TABLE

REPAIRABLE NON REPAIRABLE

B M-7506

3