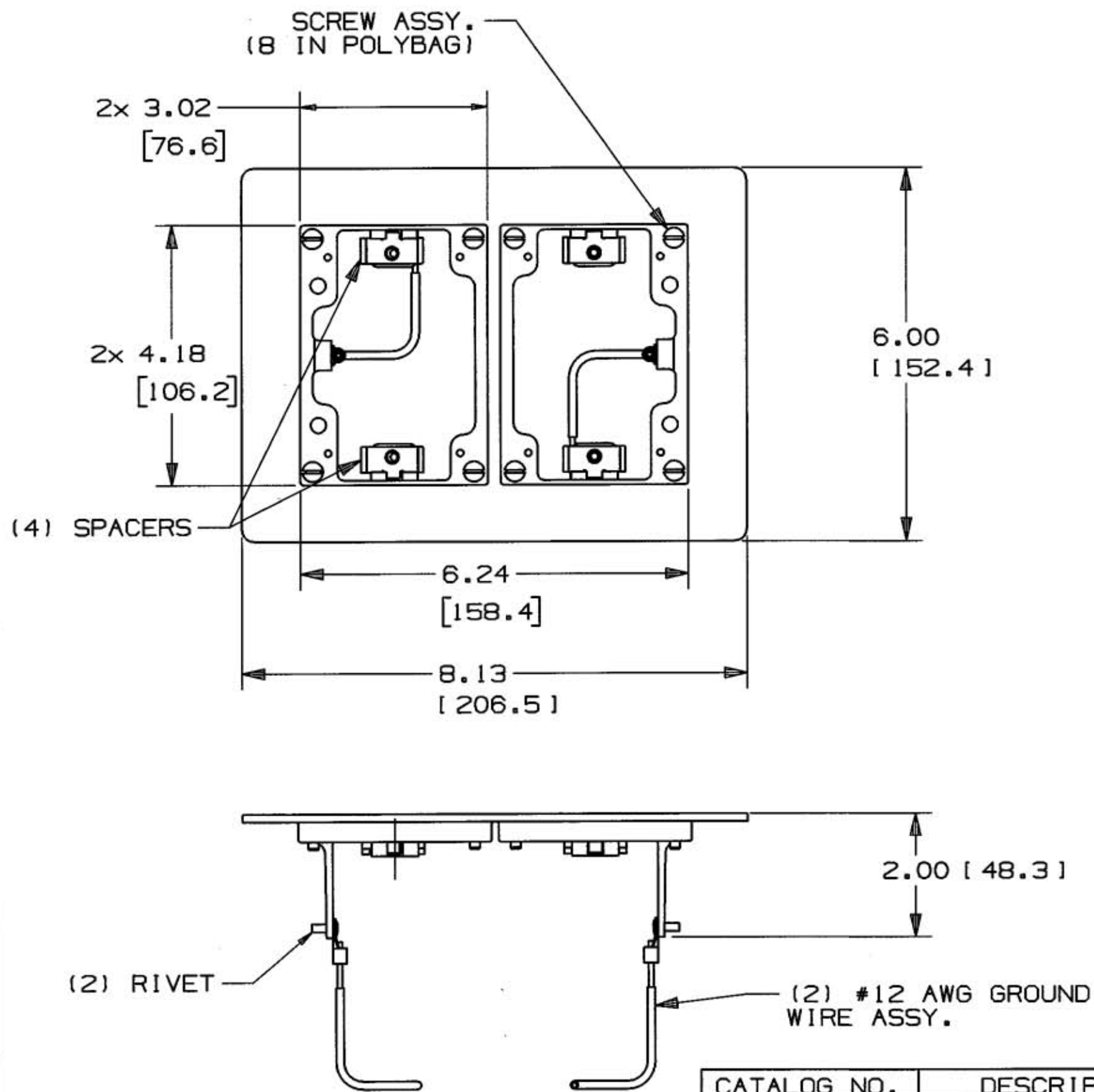


M-8584 3



NOTE: DIM'S. INCHES [MM].

CATALOG NO.	DESCRIPTION	FLANGE MATERIAL
SB3084W	2 GANG FLANGE	BRASS
SA3084W	2 GANG FLANGE	ALUMINUM

LIST OF PARTS		
DESCRIPTION	MATERIAL	FINISH
FLANGE	SEE TABLE	
SPACER	POLYESTER	GRAY
#6-32 SCREW MTG.	STEEL	ZINC
GROUND WIRE ASSY	#12 AWG CU	INSULATED
RIVET	BRASS	

SYMBOL	REVISIONS	APP	DATE
3	(8 IN POLYBAG) WAS (4 IN POLYBAG) PER DCN. 9411-1 T.J.V	TLS	4-25-02
2	PARTS LIST REMOVE FLANGE BRASS & AL. ADD SEE TABLE. TITLE REMOVE CUST DWG. ADD DIMS. 3.02 X 4.18 AND #12 AWG WIRE DCN9086 GK/TS		11/30/01
1	INITIAL RELEASE #8865	TLS	8-14-01

THE DESIGN AND DIMENSIONS OF THE PRODUCT SHOWN ON THIS DRAWING ARE SUBJECT TO CHANGE WITHOUT NOTICE

TITLE 2 GANG FLANGE FOR RECTANGULAR FLOOR BOX

TOLERANCES UNLESS OTHERWISE SPECIFIED	WIRING DEVICE-KELLEMS HUBBELL INCORPORATED BRIDGEPORT, CT	
FRACTIONS ±1/64	DR. BY PAC	APP. BY TLS
DECIMALS ±.005	TR. BY	SCALE HALF
ANGLES ±2°	CHK'D BY TLS	DATE 8-14-01

DIMENSION SHEET FOR CAT. NO. SEE TABLE REPAIRABLE NON-REPAIRABLE B M-8584 3