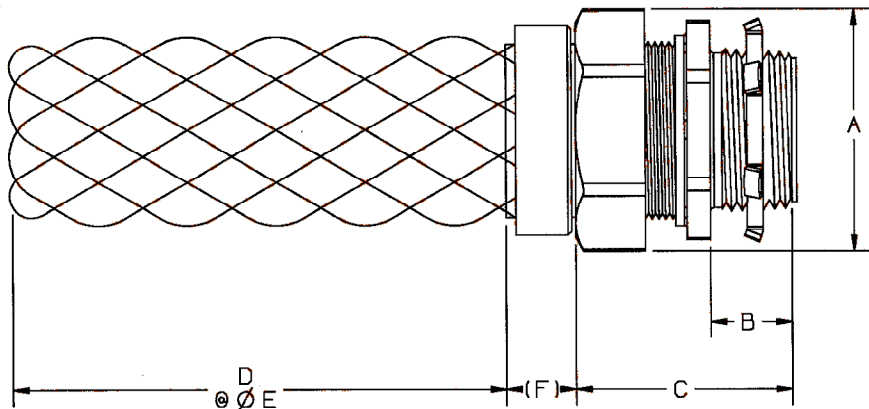
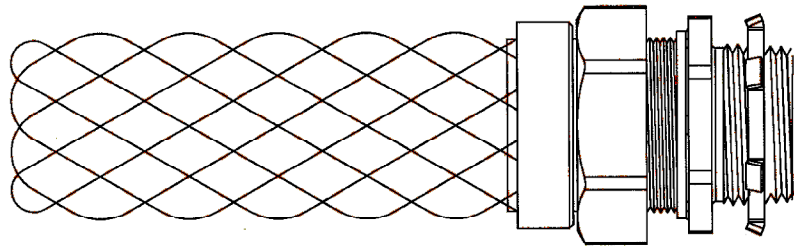


M-10127 1



STRAIGHT INSULATED



STRAIGHT UNINSULATED

INSULATED GRIP CAT. NO.	UNINSULATED GRIP CAT. NO.	CONDUIT SIZE	METRIC DESIGNATOR	A INCHES ±.015 [mm ±0.4]	B INCHES ±.015 [mm ±0.4]	THREAD SIZE NPT	METRIC DESIGNATOR	C INCHES ±.015 [mm ±0.4]	D LENGTH INCHES [mm]	TOL. (±) INCHES [mm]	Ø E INCHES [mm]	(F) INCHES [mm]
074093511	074093401	3/8"	12	1.062 [26.986]	.594 [15.081]	1/2"	16	1.437 [36.513]	3.00 [76.20]	.30 [7.62]	.710 [18.034]	.375 [9.525]
074093512	074093402	1/2"	16	1.188 [30.163]	.594 [15.081]	1/2"	16	1.437 [36.513]	3.90 [99.06]	.50 [12.70]	.840 [21.336]	.437 [11.100]
074093513	074093403	3/4"	21	1.463 [38.909]	.594 [15.081]	3/4"	21	1.582 [39.889]	4.00 [101.60]	.40 [10.16]	1.060 [26.870]	.582 [14.275]
074093514	074093404	1"	27	1.719 [43.656]	.656 [16.669]	1"	27	1.687 [42.883]	5.00 [127.00]	.50 [12.70]	1.315 [33.401]	.625 [15.875]
074093515	074093405	1-1/4"	35	2.187 [55.563]	.625 [15.875]	1-1/4"	35	2.031 [51.594]	6.00 [152.40]	.60 [15.24]	1.660 [42.164]	.688 [17.475]
074093516	074093406	1-1/2"	41	2.500 [63.500]	.625 [15.875]	1-1/2"	41	2.219 [56.356]	6.70 [170.18]	.67 [17.02]	1.990 [50.548]	1.125 [28.575]
074093518	074093408	2"	53	3.000 [76.200]	.656 [16.669]	2"	53	2.281 [57.944]	8.00 [203.20]	.80 [20.32]	2.375 [60.325]	1.250 [31.750]
074093520	074093410	2-1/2"	63	3.625 [92.075]	1.000 [25.400]	2-1/2"	63	3.500 [88.900]	9.70 [246.38]	.50 [12.70]	2.875 [73.025]	.938 [23.825]
074093522	074093412	3"	78	4.312 [109.538]	1.000 [25.400]	3"	78	3.750 [95.250]	11.00 [279.40]	.50 [12.70]	3.500 [88.900]	1.125 [28.575]
074093526		4"	103	5.312 [134.924]	1.000 [25.400]	4"	103	3.750 [95.250]	14.00 [355.80]	.50 [12.70]	4.500 [114.300]	1.125 [28.575]

* FOR USE WITH FLEXIBLE TYPE 'B' METALLIC & NONMETALLIC LIQUID-TIGHT CONDUIT

- A = COMPRESSION NUT FLATS
- B = THREAD LENGTH & THREAD SPEC.
- C = OVERALL LENGTH
- D = GRIP LENGTH AT SPECIFIED DIAMETER

CODE 74545

LIST OF PARTS

DESCRIPTION	MATERIAL	FINISH
BODY 3/8"-1" T.S.	STEEL	ZINC PLATE
BODY 1-1/4"-4" T.S.	IRON	ZINC PLATE
COMPRESSION NUT:		
3/8"-1" T.S.	STEEL	ZINC PLATE
1-1/4"-4" T.S.	IRON	ZINC PLATE
FERRULE	STEEL	ZINC PLATE
SPLIT SEAL RING	NYLON	YELLOW
SEALING WASHER	NYLON	YELLOW
INSULATOR	NYLON	YELLOW
LOCKNUT	STEEL	ZINC PLATE
GRIP MESH	ST. STEEL	
GRIP INT. SLEEVE	STEEL	ZINC PLATE
GRIP EXT. SLEEVE	ALUM.	

DIMENSION SHEET FOR CAT. NO. SEE TABLE

REPAIRABLE NON-REPAIRABLE

B

M-10127

1

1	RELEASED PER DCN 13131 ABS	CC	6/9/06
SYM	REVISIONS	APP	DATE

THE DESIGN AND DIMENSIONS OF THE PRODUCT SHOWN ON THIS DRAWING ARE SUBJECT TO CHANGE WITHOUT NOTICE

TITLE
STRAIGHT FLEXIBLE METALLIC CONDUIT GRIPS

TOLERANCES UNLESS OTHERWISE SPECIFIED FRACTIONS ± 1/64 DECIMALS ± .005 ANGLES ± 2°	WIRING DEVICE-KELLEMS HUBBELL INCORPORATED BRIDGEPORT, CT	
	DR. BY ABS	APP. BY CJC
	TR. BY	SCALE NONE
	CHK'D BY CJC	DATE 6/9/06