

A Pentair Company

Louver Filter Kit

Hoffman Enclosures Inc.
2100 Hoffman Way
Anoka, MN 55303-1745
(763) 422-2211 Tel
www.hoffmanonline.com

Pentair Electronic Packaging
170 Commerce Drive
Warwick, RI 02886
(401) 732-3770
www.pentair-ep.com

Canada
Hoffman-Schroff
111 Grangeway Avenue, Suite 504
Scarborough, Ontario M1H 3E9
(416) 289-2770 Fax (416) 289-2883
1-800-668-2500 (Canada only)

Germany
Schroff GmbH
Langenalber Str. 96-100
75334 Straubenhardt
49 (07082) 794-0 Fax 49 (07082)
794-200
www.schroff.de

Great Britain
Schroff UK Ltd.
Maylands Avenue
Hemel Hempstead, Herts HP2 7DE
44 (01442) 240471 Fax 44 (01442) 213508
www.schroff.co.uk

Sweden
Schroff Scandinavia AB
Box 2003
12821 Skarpnäck
46 08683 61 00 Fax 46 08683 61 99
www.schroff.se

France
Schroff Sas
Z.I., 4 rue du Marais
67690 Betschdorf
33 03 88 90 64 90 Fax 33 03 88 90 64 88
www.schroff.fr

Italy
Schroff srl
Viale Milano, 119
21013 Gallarate (Varese)
39 0331 79 40 03 Fax 39 0331 79 34 50

Singapore
Hoffman-Schroff Pte. Ltd.
#01-68/71 German Centre
25 International Business Park
Singapore 609916
65 5 62-78 90 Fax 65 5 62-78 99

Japan
Schroff K.K.
Nisso No. 13 Bldg. 4F
2-5-1 Shinyokohama
Kohoku-Ku, Yokohama shi
Kanagawa 222-0033
81 (045) 476-02 81 Fax 81 (045) 476-02
89

Finland
Schroff Scandinavia AB
Peräsimentie 9
03100 Nummeila
358 09 222 88 00 Fax 358 09 222 38 86

Norway
Schroff Scandinavia AB
Bjoernerudveien 24
1266 Oslo
47 022 76 33 60 Fax 47 022 76 33 69



INSTALLATION INSTRUCTIONS:

1. Check louver kit catalog number and make sure that the corresponding filter kit was selected.
2. Locate filter bracket mounting holes (4 or 6) if the louvers are stamped on the enclosure panel. Locations and dimensions are shown on figure 1 for each corresponding louver.
3. Drill four or six holes if needed. When drilling holes, make sure that no wires or components are in the way of the drill bit.
4. Assemble bracket and filter as shown in figure 2.

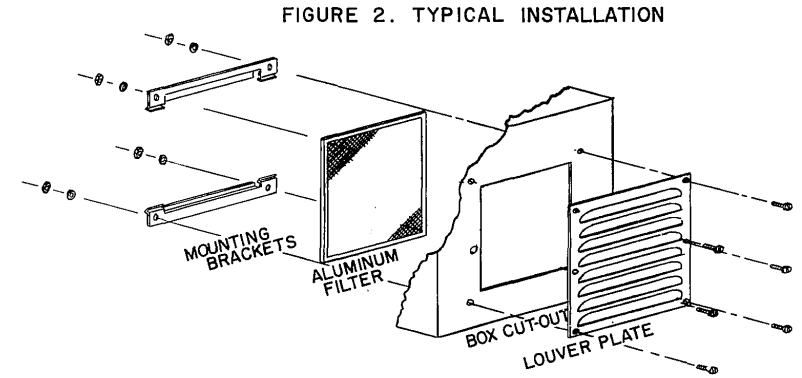
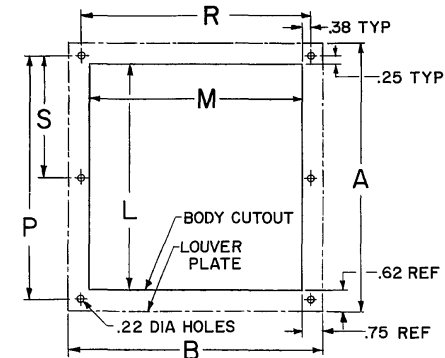


FIGURE 1. LOCATION OF BRACKET MOUNTING HOLES



FILTER CAT. NO.	FOR LOUVER KIT NO.	A	B	L	M	P	R	S
A-FLT33	A-VK33	3.88	4.50	2.62	3.00	3.12	3.75	—
A-FLT34	A-VK34	4.75	4.50	3.50	3.00	4.00	3.75	—
A-FLT43	A-VK43	4.50	5.50	3.25	4.00	3.75	4.75	—
A-FLT44	A-VK44	5.62	5.50	4.38	4.00	4.88	4.75	—
A-FLT64	A-VK64	5.62	7.50	4.38	6.00	4.88	6.75	—
A-FLT66	A-VK66	7.88	7.50	6.62	6.00	7.12	6.75	3.56
A-FLT84	A-VK84	5.81	9.50	4.56	8.00	5.06	8.75	—
A-FLT86	A-VK86	8.19	9.50	6.94	8.00	7.44	8.75	3.72
A-FLT88	A-VK88	10.56	9.50	9.31	8.00	9.81	8.75	4.91
A-FLT812	A-VK812	15.31	9.50	14.06	8.00	14.56	8.75	7.28

TABLE 1. DIMENSIONS