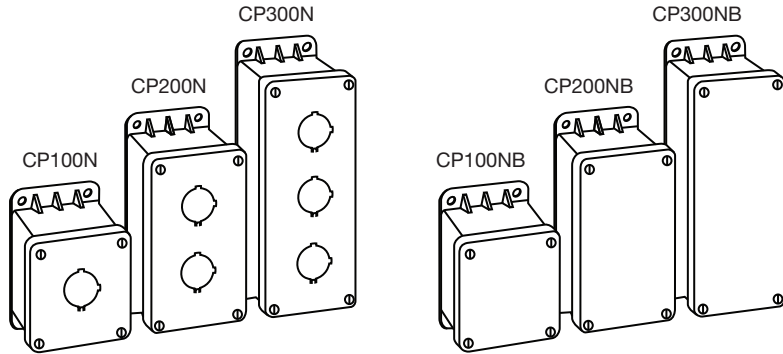




## INSTALLATION INSTRUCTIONS FOR DEVICES IN PUSHBUTTON ENCLOSURES

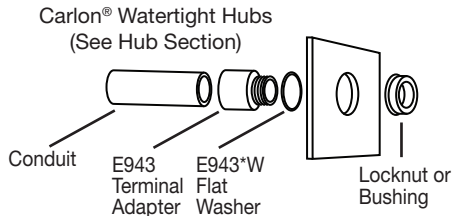


CAT.NO.	STYLE
CP100N	ONE OPENING
CP200N	TWO OPENING
CP300N	THREE OPENING
CP100NB	BLANK COVER
CP200NB	BLANK COVER
CP300NB	BLANK COVER

### INSTALLATION OF CONDUIT:

1. **CONDUIT HOLES** -Cut holes in pushbuttons at the desired location. The use of a standard hole saw is the preferred method. The maximum acceptable conduit is 1"; maximum acceptable device hole is 1<sup>5</sup>/<sub>8</sub>".

**NOTE:** Pushbuttons drilled for conduit or other fabrication steps may **NOT** be returned for credit.



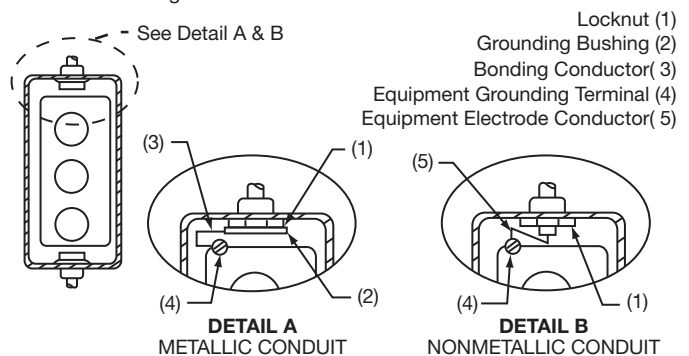
For Carlon® enclosures and any enclosure with a wall thickness less than .200".

### 2. CONDUIT CONNECTIONS

a. **Metallic Conduit**-First secure the conduit connector (hub) onto the conduit. Then secure conduit connector (hub) into the prepared pushbutton hole using the connector locknut. Then attach grounding bushing having the proper size ground wire lug over the connector locknut.

### GROUNDING OF EQUIPMENT:

A grounding conductor is affixed to the lid in accordance with the requirements of the National Electrical Code. See illustrations below when using either metallic or nonmetallic conduit.



Smaller device should be positioned so that grounding and bonding may be achieved through the retaining nut's contact with the grounding plate.

If, in the assembled position, the device's retaining nut does not contact the grounding plate, place a metallic thrust washer of sufficient O.D. to insure contact to the plate.

**HUBS** -For metallic application the use of a UL Listed Hub and Grounding Bushing System is required.

For nonmetallic application the use of Carlon® male adapter (sizes E943D thru E943R) and "Flat Sealing Washer" (series E943DW thru E943JW) with bushing in assembling a hub is sufficient.

**⚠ CAUTION ⚠**

**NONMETALLIC ENCLOSURE DOES NOT PROVIDE GROUNDING BETWEEN CONDUIT CONNECTIONS. WHEN METALLIC CONDUIT IS USED, USE GROUNDING TYPE BUSHINGS AND JUMPER WIRES, BONDING IS NOT REQUIRED IF DEVICE IS INTENDED TO BE INSTALLED AS END OF CIRCUIT EQUIPMENT.**  
See applicable codes and laws for grounding requirements.

b. **Nonmetallic Conduit** (see illustration above) -Secure conduit to the conduit connector (hub) either before or after the conduit connector is secured into the prepared hole using the connector locknut.

**NOTE:** Grounding bushing not required.

**FOR AN OUTDOOR APPLICATION, ONLY AUXILIARY DEVICES UL LISTED AND MARKED "WET LOCATIONS" MAY BE USED.**



**WARRANTY:** Thomas & Betts sells this product with the understanding that the user will perform all necessary tests to determine the suitability of this product for the user's intended application. Thomas & Betts warrants that this product will be free from defects in materials and workmanship for a period of two (2) years following the date of purchase. Upon prompt notification of any warranted defect, Thomas & Betts will, at its option, repair or replace the defective product or refund the purchase price. Proof of purchase is required. Misuse or unauthorized modification of the product voids all warranties.

**Limitations and Exclusions:** THE ABOVE WARRANTY IS THE SOLE WARRANTY CONCERNING THIS PRODUCT, AND IS IN LIEU OF ALL OTHER WARRANTIES EXPRESS OR IMPLIED, INCLUDING BUT NOT LIMITED TO ANY IMPLIED WARRANTY OF MERCHANTABILITY OR FITNESS FOR A PARTICULAR PURPOSE, WHICH ARE SPECIFICALLY DISCLAIMED. LIABILITY FOR BREACH OF THE ABOVE WARRANTY IS LIMITED TO COST OF REPAIR OR REPLACEMENT OF THE PRODUCT, AND UNDER NO CIRCUMSTANCES WILL THOMAS & BETTS BE LIABLE FOR ANY INDIRECT, SPECIAL, INCIDENTAL OR CONSEQUENTIAL DAMAGES.

Thomas & Betts Corporation  
Memphis, Tennessee  
www.tnb.com