

CABLE SIZES ACCOMMODATED

ALUM. TO ALUM., ALUM TO COPPER, COPPER TO COPPER CONDUCTORS

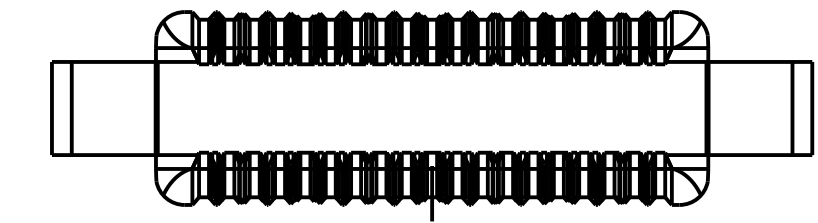
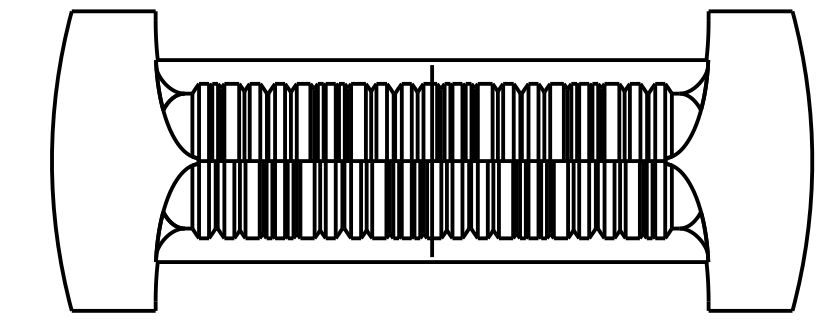
MAX RUN TO MAX TAP		MIN RUN TO MIN TAP		MAX RUN TO MIN TAP		RECOMMENDED TIGHTENING TORQUE IN LBS	CATALOG NO.	FIG. NO.
#6 STR (.184)	#6 STR (.184)	#10 SOL (.102)	#10 SOL (.102)	#6 STR (.184)	#10 SOL (.102)			
#4 STR (.232)	#4 STR (.232)	#8 SOL (.129)	#10 SOL (.102)	#4 STR (.232)	#10 SOL (.102)	165 [18.6 N M]	KSA4	1
#2 STR (.292)	#2 STR (.292)	#6STR COMPACT(.169)	#8 STR (.146)	#2 STR (.292)	#8 STR (.146)	275 [31.1 N M]	KSA2	1
1/0 STR (.373)	1/0 STR (.373)	#2STR COMPACT(.268)	#8 SOL (.129)	1/0 STR (.373)	#8 SOL (.129)	385 [43.5 N M]	KSA1/0	1
2/0 STR (.418)	2/0 STR (.418)	#2STR COMPACT(.268)	#8 STR (.146)	2/0 STR (.418)	#8 STR (.146)	385 [43.5 N M]	KSA2/0	1
4/0 STR (.528)	4/0 STR (.528)	#2STR COMPACT(.268)	#6 STR (.146)	4/0 STR (.528)	#6 STR (.146)	500 [56.5 N M]	KSA4/0	1
350 Kcmil (.681)	350 Kcmil (.681)	1/0STR COMPACT(.336)	#4 STR (.146)	350 Kcmil (.681)	#4 STR (.146)	650 [73.4 N M]	KSA350	2
500 Kcmil (.813)	500 Kcmil (.813)	400 Kcmil COMPACT(.659)	#2 STR COMPACT(.268)	500 Kcmil (.813)	#2 STR COMPACT(.268)	825 [93.2 N M]	KSA500	2

METRIC CABLE SIZES ACCOMMODATED

ALUM. TO ALUM., ALUM. TO COPPER, COPPER TO COPPER CONDUCTORS

MAX RUN TO MAX TAP		MIN RUN TO MIN TAP		MAX RUN TO MIN TAP		CATALOG NO.	FIG. NO.
10mm ² STR [4.1]	10mm ² STR [4.1]	6mm ² SOL [2.8]	6mm ² SOL [2.8]	10mm ² STR [4.1]	6mm ² SOL [2.8]		
16mm ² STR [5.1]	16mm ² STR [5.1]	10mm ² SOL [3.6]	10mm ² SOL [3.6]	16mm ² STR [5.1]	6mm ² SOL [2.8]	KSA4	1
35mm ² STR [7.6]	35mm ² STR [7.6]	16mm ² STR [5.1]	16mm ² STR [5.1]	35mm ² STR [7.6]	10mm ² STR [4.1]	KSA2	1
35mm ² STR [7.8]	35mm ² STR [7.8]	35mm ² STR [7.6]	10mm ² STR [4.1]	4mm ² STR [2.6]	10mm ² SOL [3.6]	KSA1/0	1
70mm ² STR [10.9]	70mm ² STR [10.9]	35mm ² STR [7.6]	10mm ² SOL [3.6]	70mm ² STR [10.9]	10mm ² STR [4.1]	KSA2/0	1
95mm ² STR [12.8]	95mm ² STR [12.8]	35mm ² STR [7.6]	10mm ² STR [4.1]	95mm ² STR [12.8]	10mm ² STR [4.1]	KSA4/0	1
185mm ² STR [17.8]	185mm ² STR [17.8]	50mm ² STR [9.3]	10mm ² STR [4.1]	185mm ² STR [17.8]	10mm ² STR [4.1]	KSA350	2
240mm ² STR [20.3]	240mm ² STR [20.8]	240mm ² STR [20.3]	35mm ² STR [7.6]	240mm ² STR [20.3]	35mm ² STR [7.6]	KSA500	2

REV	DATE	DESCRIPTION	ECO	BY	C.H.K.	YR
J	2020-01-31 02:00:00 EST	DRAWING UPDATION AS PER MARKUP	52953	SS		



VIEW OF TYPICAL SPACER USED WITH TYPICAL PRESSURE BAR AND ASSEMBLY

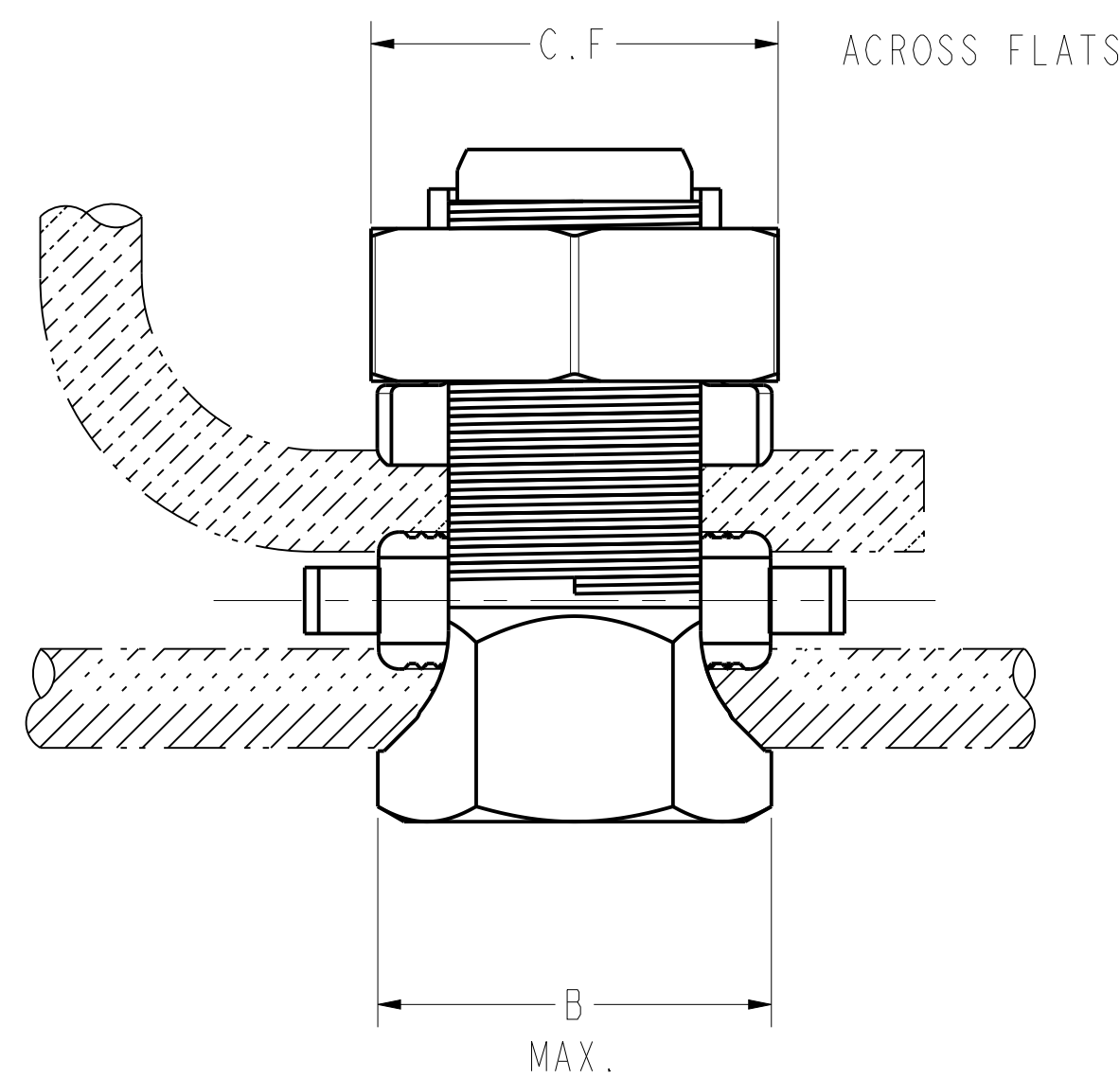
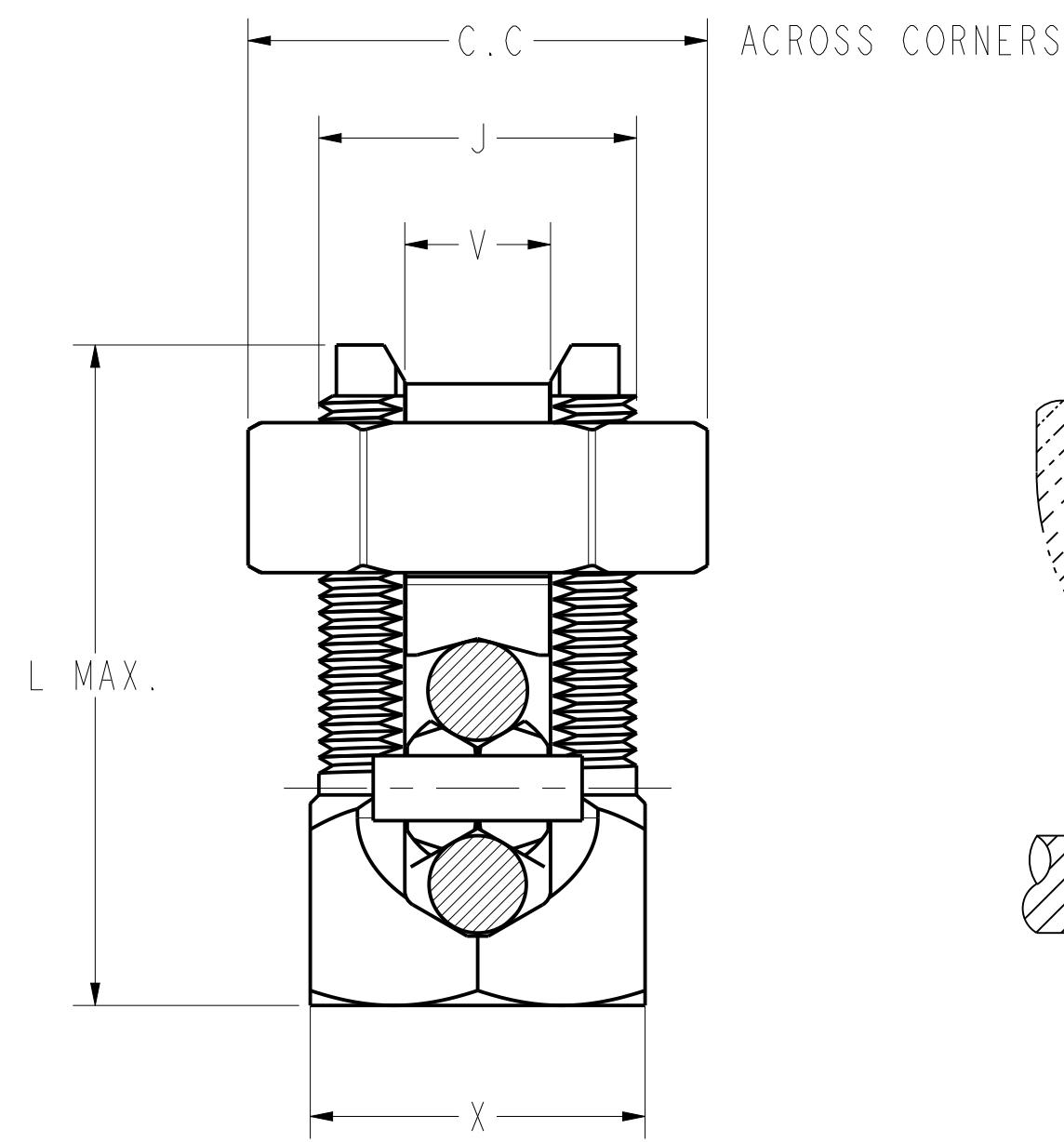


FIG. 1

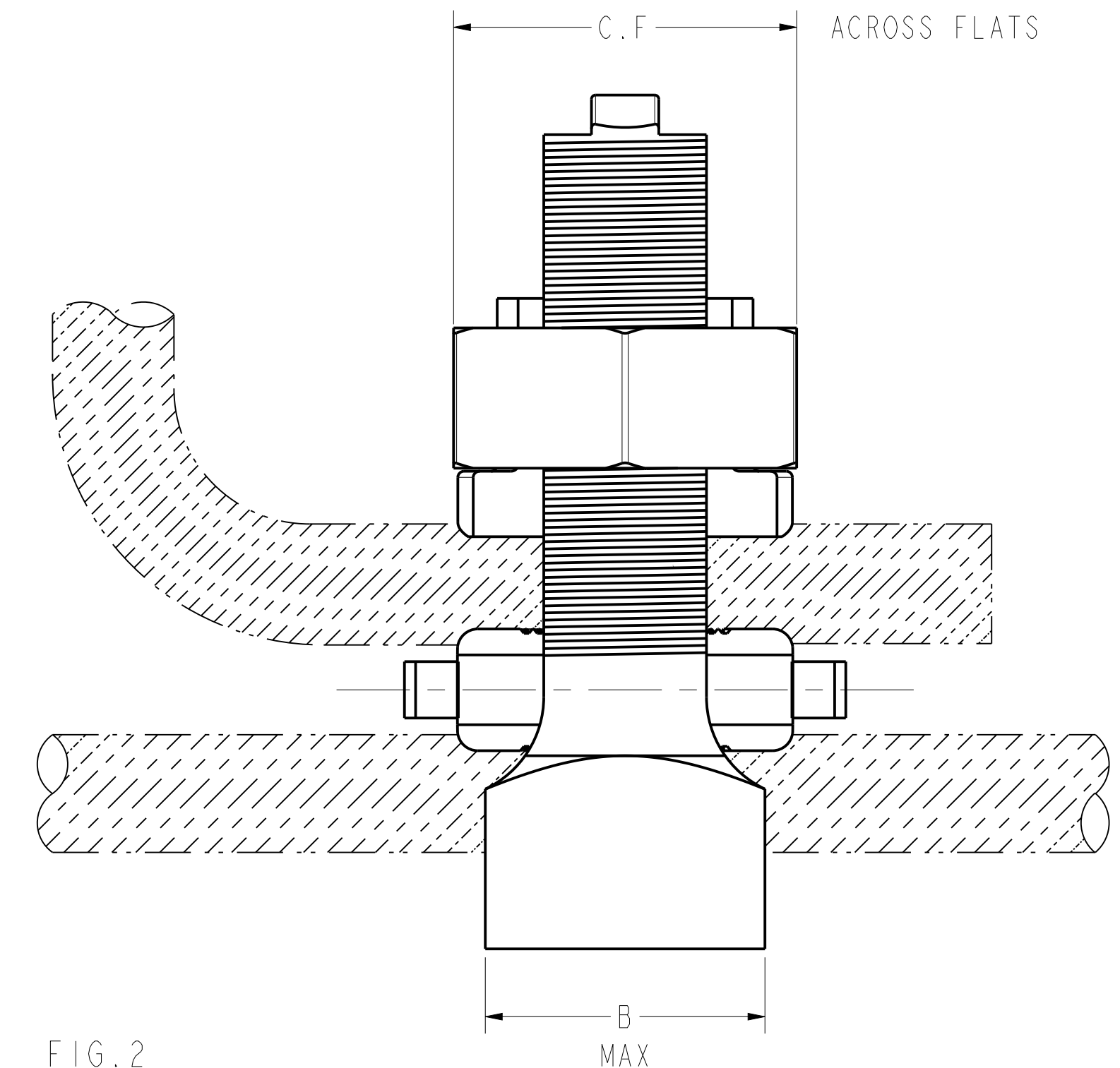
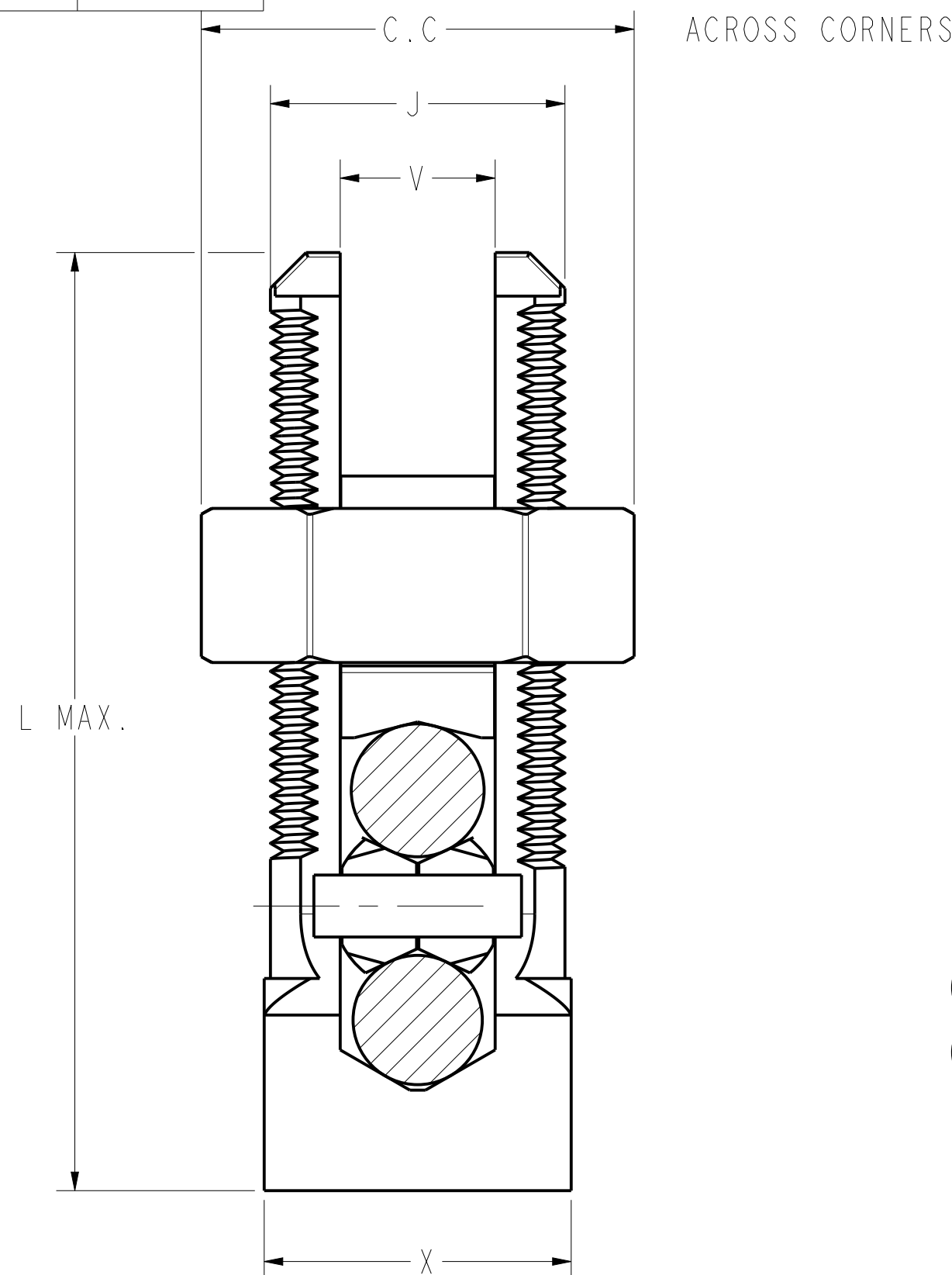


FIG. 2

NOTES:

- MATERIAL: ALUMINUM ALLOY
- FINISH: TIN PLATED
- DIMENSIONS IN BRACKETS [] ARE IN MILLIMETERS ROUNDED OFF TO THE NEAREST MILLIMETER, UNLESS OTHERWISE NOTED, AND ARE FOR REFERENCE ONLY.
- ALL SIZES ARE UL 486B LISTED. FILE NO. E9498.
- ALL SIZES ARE CSA C22.2 NO. 65 LISTED. FILE NO. 42862 & 42682-C40

FOR NO SPACER VERSION ADD NS SUFFIX TO THE END OF THE CATALOG NUMBER. END USER ASSUMES ALL RESPONSIBILITY FOR SAFETY, APPLICATION, AND CONDUCTOR RANGE. THIS IS A NON UL AND NON CSA LISTED CONNECTOR.

TO ORDER BURNDY® PRODUCTS CALL
 UNITED STATES
 1-800-346-4175 (LONDONDERRY, NH)
 CANADA:
 1-800-361-6975 (QUEBEC)
 1-800-387-6487 (ALL OTHER PROVINCES)
 FOR PRODUCT INFO: <http://www.burndy.com>

SERVIT®	
ITEM NO:	--
CAT. NO:	KSA-- (SEE TABLE)
DRAWN BY:	H.C. 06/27/80
CHECKER:	A.K.K. 07/21/80
DSN APPVL:	W.F. 07/21/80
MFG APPVL:	--
QA APPVL:	A.LLOYD 10/26/80
MKT APPVL:	L.HERRON 10/20/80
PROD FAM:	--
PROJECT #:	--
DOCUMENT TYPE:	Sales
REL LEVEL:	Released

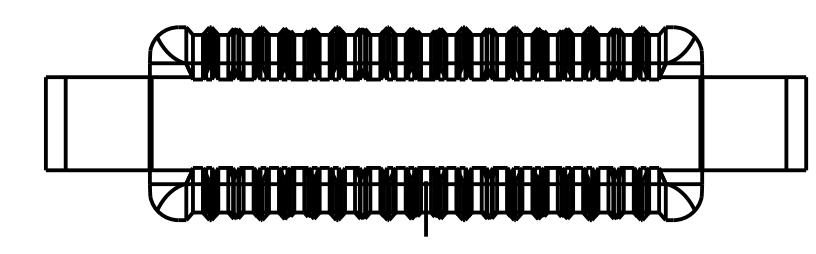
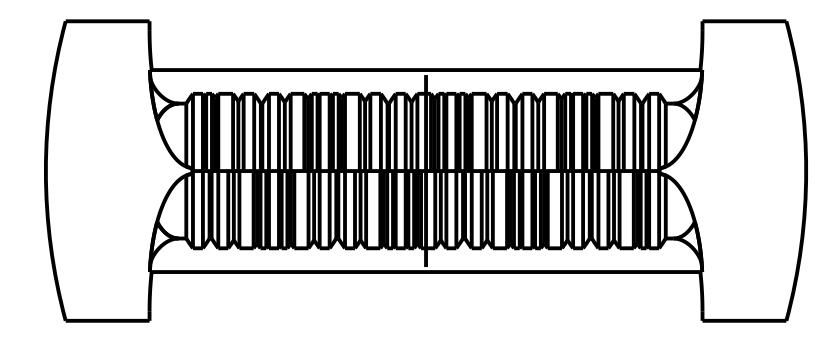


DRAWING NO	REV
SD084189	J
SHEET 1 OF 2	

REV	DATE	DESCRIPTION	ECO	BY	C.H.K.
J	2020-01-31 02:00:00 EST	DRAWING UPDATION AS PER MARKUP	52953	SS	YR

LETTERING TABLE

CATALOG NO.	FIG. NO.	B	C.C	C.F	H	J	L MAX.	V	X
KSA6	1	1.06 [27]	.80 [22]	.75 [19]	.64 [16]	9/16"-18UNF	1.58 [35]	.204 [5]	.56 [14]
KSA4	1	1.10 [28]	.92 [23]	.81 [21]	.71 [18]	5/8"-18UNF	1.38 [35]	.258 [7]	.62 [16]
KSA2	1	1.24 [32]	1.08 [27]	.94 [24]	.78 [20]	11/16"-16UN	1.58 [40]	.323 [8]	.69 [18]
KSA1/0	1	1.33 [34]	1.14 [29]	1.00 [25]	.85 [22]	3/4"-16UNF	1.92 [49]	.385 [10]	.75 [19]
KSA2/0	1	1.44 [37]	1.29 [33]	1.12 [28]	.90 [23]	7/8"-14UNF	1.92 [49]	.435 [11]	.88 [22]
KSA4/0	1	1.90 [48]	1.71 [43]	1.49 [38]	1.17 [30]	1 3/16"-12UN	2.54 [65]	.544 [14]	1.13 [29]
KSA350	2	2.18 [55]	1.95 [50]	1.69 [43]	1.50 [38]	1 3/8"-12UNF	3.24 [82]	.696 [18]	1.50 [38]
KSA500	2	2.52 [64]	2.31 [59]	2.00 [51]	1.73 [44]	1 5/8"-12UN	3.62 [92]	.843 [21]	1.73 [44]



VIEW OF TYPICAL SPACER
USED WITH TYPICAL
PRESSURE BAR AND ASSEMBLY

D

D

C

C

B

B

A

A

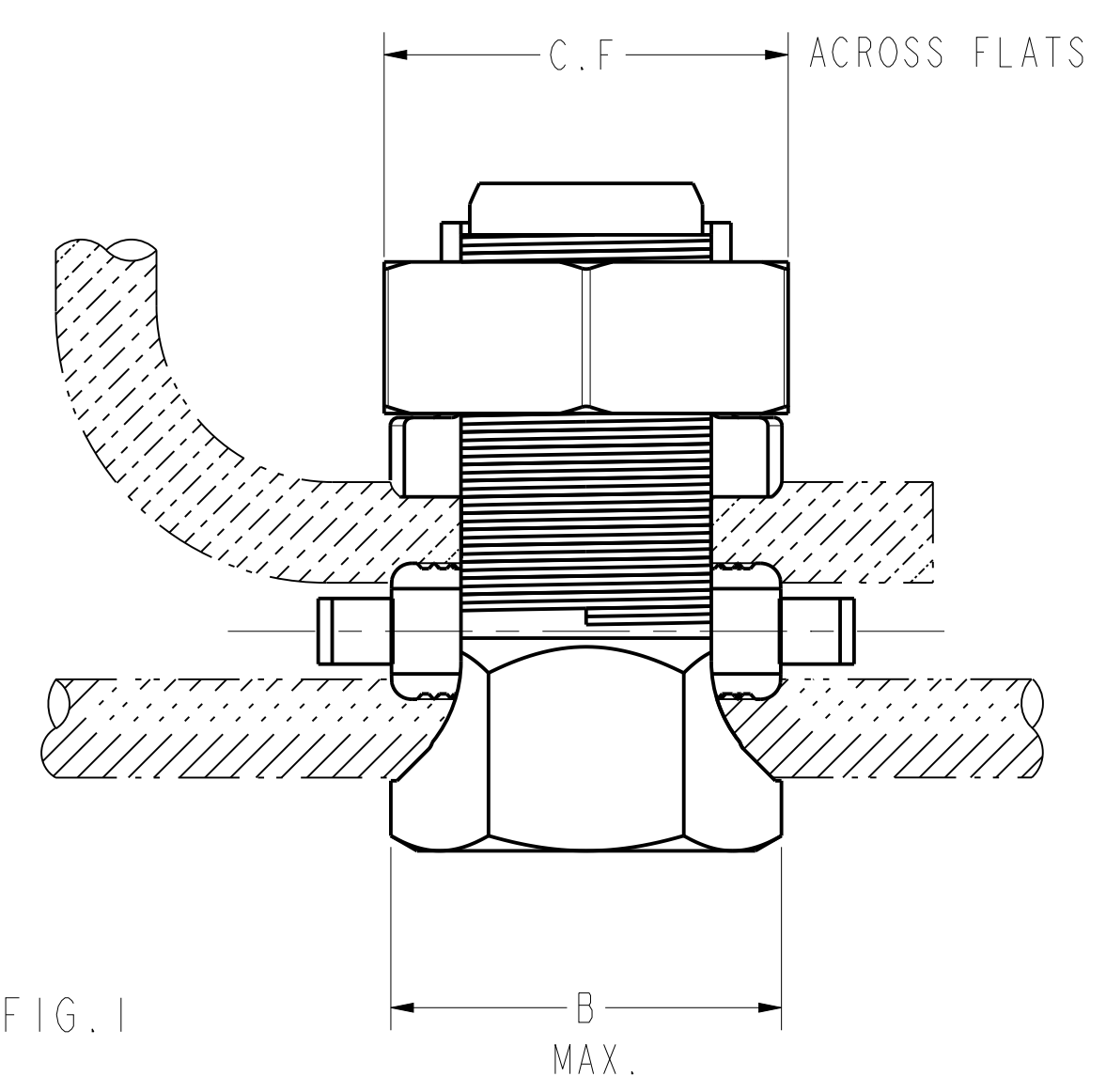
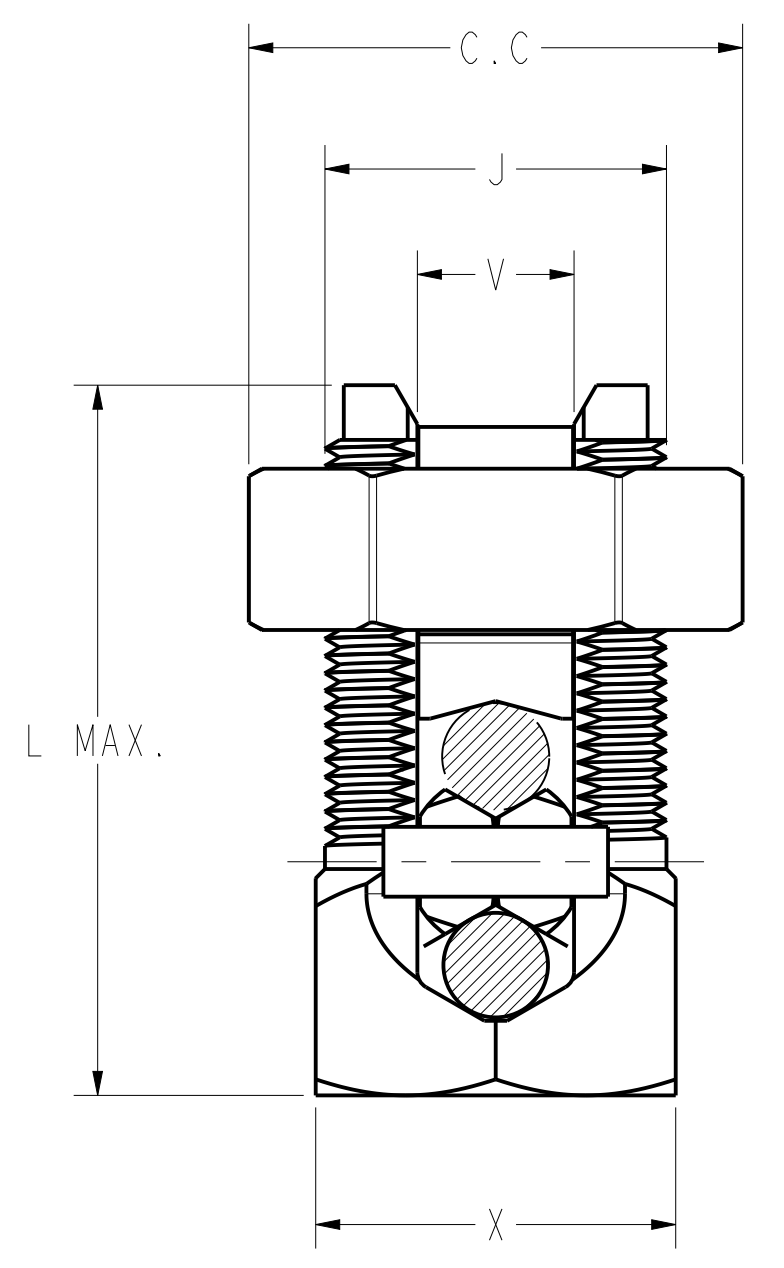


FIG. 1

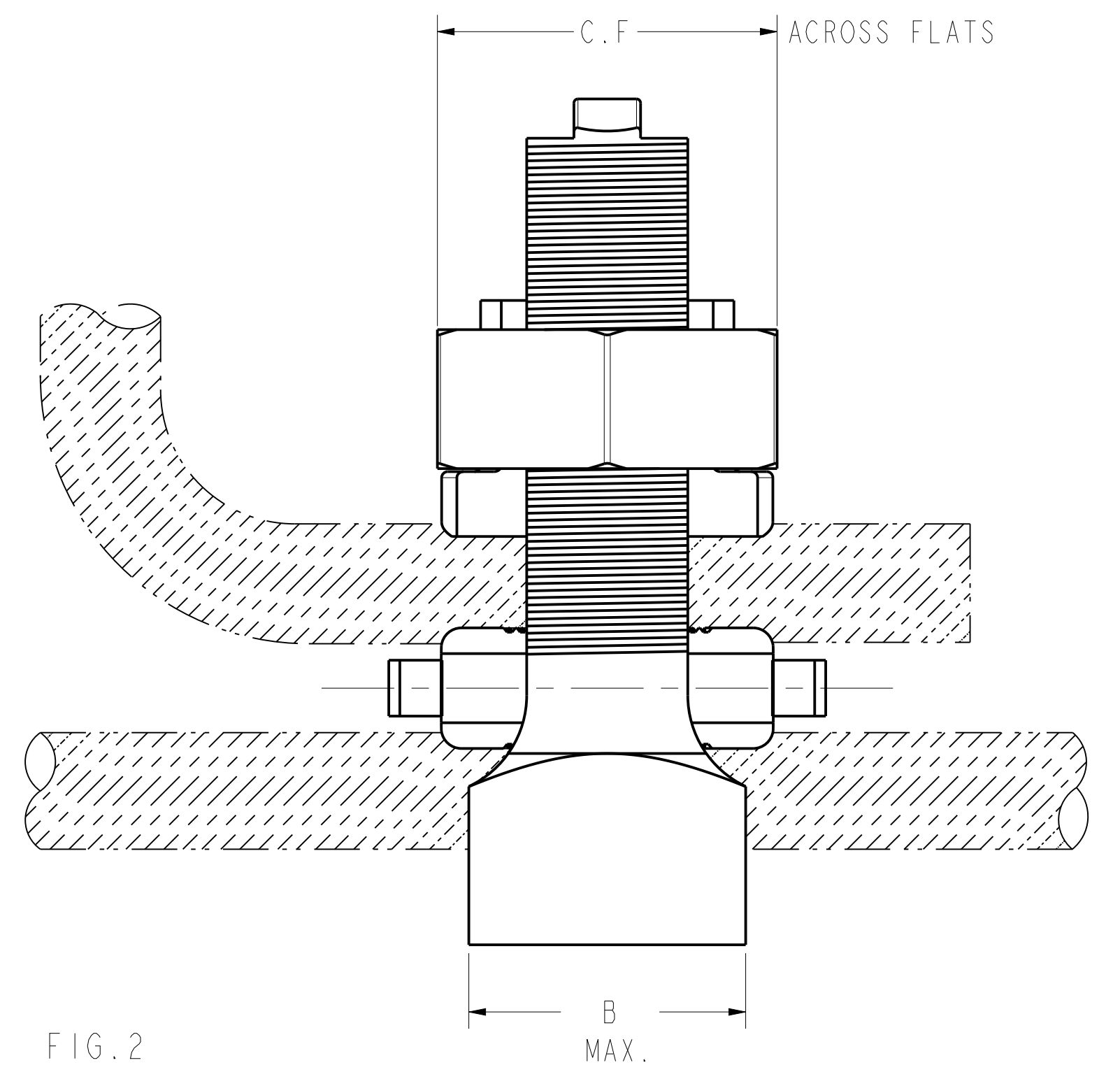
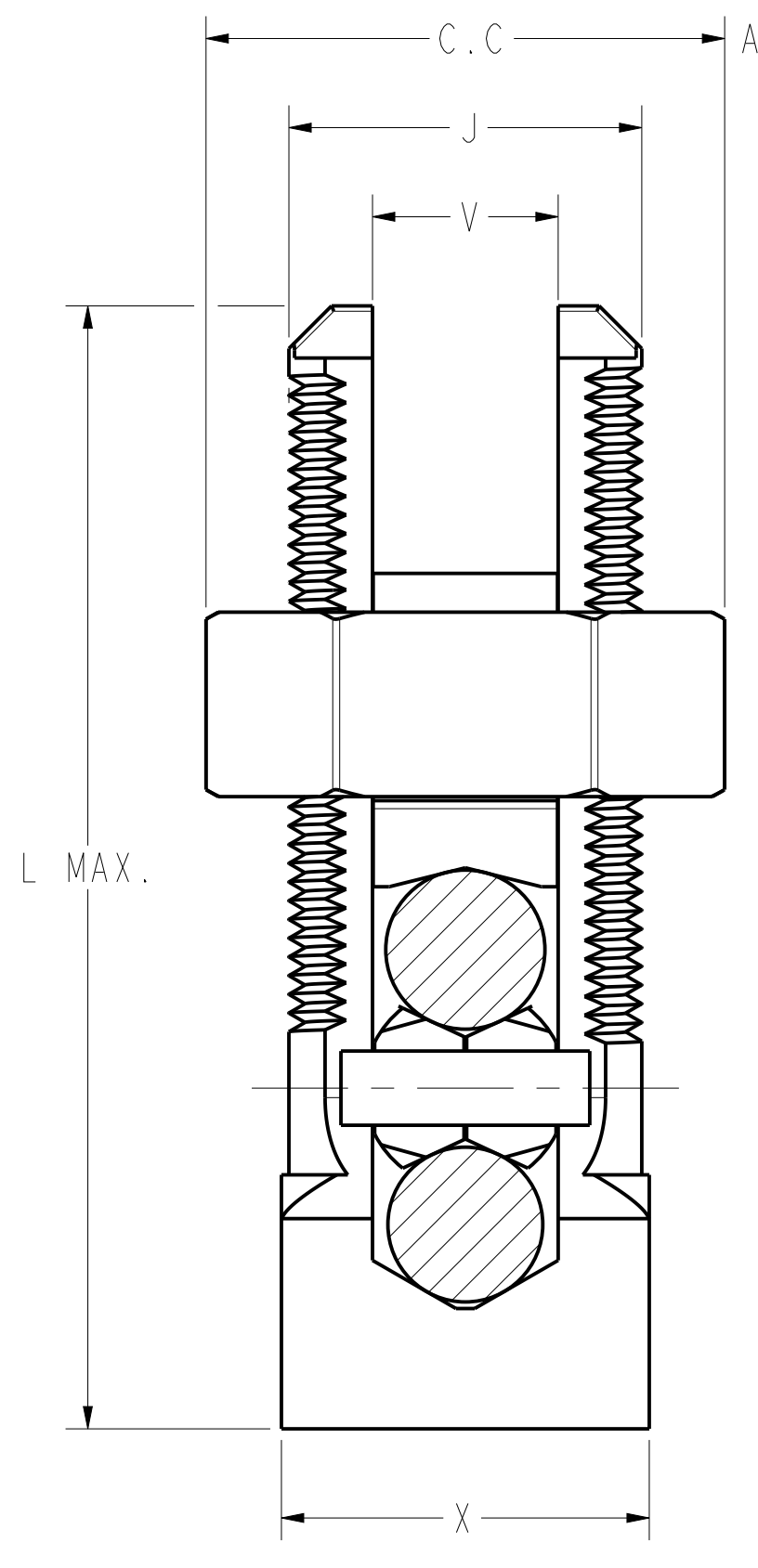


FIG. 2

NOTES:

- MATERIAL: ALUMINUM ALLOY
- FINISH: TIN PLATED
- DIMENSIONS IN BRACKETS [] ARE IN MILLIMETERS ROUNDED OFF TO THE NEAREST MILLIMETER, UNLESS OTHERWISE NOTED, AND ARE FOR REFERENCE ONLY.
- ALL SIZES ARE UL 486B LISTED. FILE NO. E9498.
- ALL SIZES ARE CSA C22.2 NO. 65 LISTED. FILE NO. 42862 & 42860-C40

FOR NO SPACER VERSION ADD NS SUFFIX TO THE END OF THE CATALOG NUMBER. END USER ASSUMES ALL RESPONSIBILITY FOR SAFETY, APPLICATION, AND CONDUCTOR RANGE. THIS IS A NON UL AND NON CSA LISTED CONNECTOR.

TO ORDER BURNDY® PRODUCTS CALL		SERVIT®	
UNITED STATES 1-800-346-4175 (LONDONDERRY, NH)		ITEM NO: --	CAT. NO: KSA-- (SEE TABLE)
CANADA: 1-800-361-6975 (QUEBEC) 1-800-387-6487 (ALL OTHER PROVINCES)		DRAWN BY: R. PERREAU 12/15/93	CHECKER: K. HENRY 12/15/93
FOR PRODUCT INFO: http://www.burndy.com		DSN APPVL: C. PALAGI 10/12/93	MFG APPVL: --
		QA APPVL: A. LLOYD 10/26/93	MKT APPVL: L. HERRON 10/20/93
		PROD FAM: --	DRAWING NO: SD084189
		PROJECT #: --	SCALE: 3:2
		DOCUMENT TYPE: Sales	REV: J
		REL LEVEL: Released	SHEET 2 OF 2

REV: PEO200