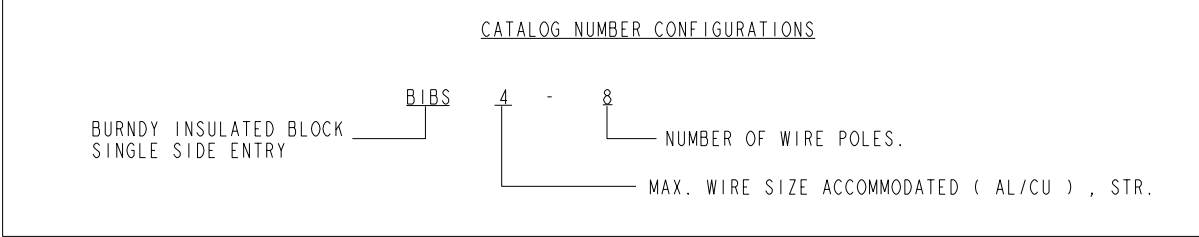
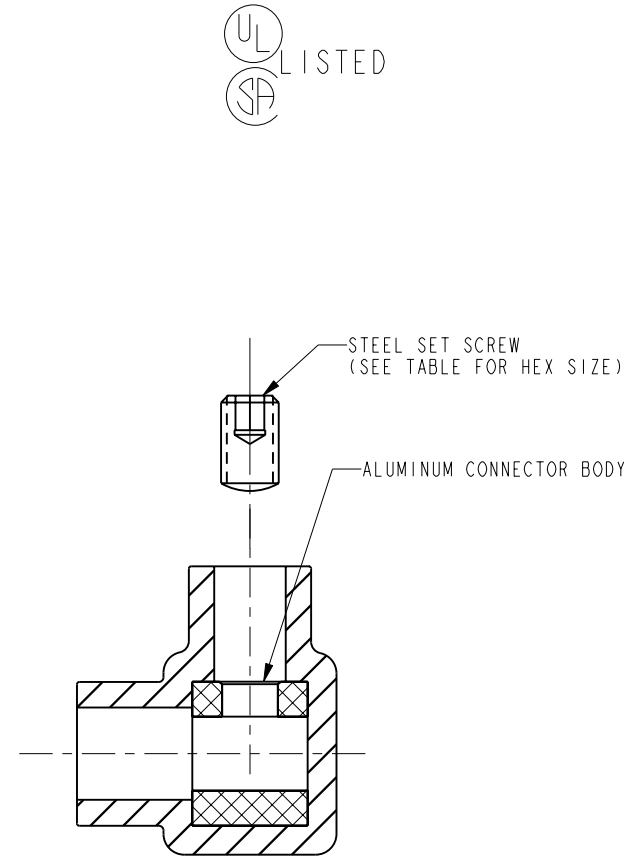
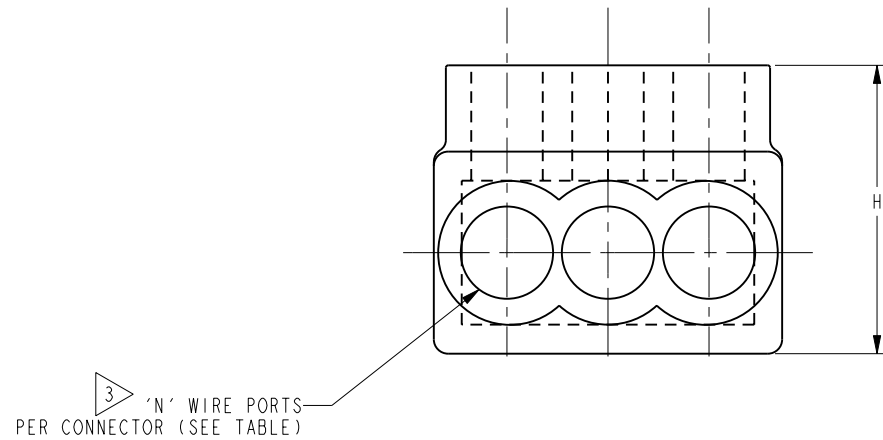
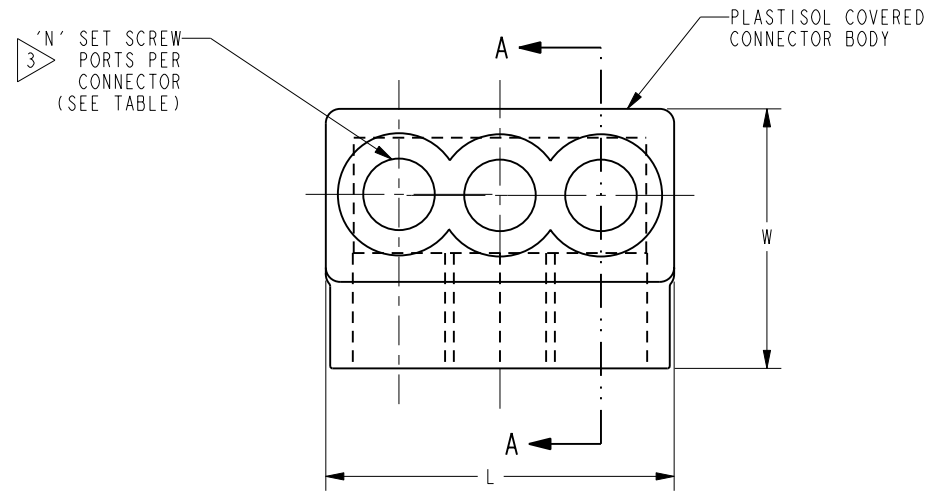


DRAWING NO.  
SC210991

CATALOG NO.	WIRE RANGE (AWG/kcmil)	L	W	H	HEX KEY	N
BIBS4-3	#14-#4	1.51 [38]	1.25 [32]	1.25 [32]	1/8	3
BIBS4-4	#14-#4	1.95 [50]	1.25 [32]	1.25 [32]	1/8	4
BIBS4-5	#14-#4	2.39 [61]	1.25 [32]	1.25 [32]	1/8	5
BIBS4-6	#14-#4	2.83 [72]	1.25 [32]	1.25 [32]	1/8	6
BIBS4-8	#14-#4	3.71 [94]	1.25 [32]	1.25 [32]	1/8	8

REV	DATE	DESCRIPTION	ECO	BY	C'H'K.
B	12/13/2012 00:00:00 AM	TORQUE INFORMATION ADDED	29767	RG	MA

FEATURES	BENEFITS
PLASTISOL COVERED AL6061-T6 BODY	SAVES TIME, LOWERS INSTALLATION COSTS, ELIMINATES TAPING.
CLEAR PLASTISOL	ALLOWS VISUAL CONFIRMATION THAT CONDUCTOR IS PROPERLY INSERTED.
OXIDE-INHIBITOR IS PRE-INSTALLED	INHIBITS MOISTURE AND CONTAMINANTS FROM ENTERING THE CONTACT AREA
RANGE-TAKING	REDUCES THE NUMBER OF CONNECTORS CARRIED IN INVENTORY



NOTES:

- THIS DRAWING TO BE INTERPRETED PER ASME Y14.5M-1994.
- CONNECTORS ARE SUPPLIED INDIVIDUALLY LABELED. LABEL INFORMATION INCLUDES CATALOG NUMBER, QUANTITY, AND BARCODE.
- END CAPS INSTALLED ON WIRE PORTS AND SET SCREW PORTS.
- ALL CONNECTORS UL LISTED, CSA CERTIFIED FOR AL9CU, 90°C APPLICATIONS.
- DIMENSIONS IN BRACKETS [ ] ARE IN MILLIMETERS ROUNDED OFF TO THE NEAREST MILLIMETER, UNLESS OTHERWISE NOTED, AND ARE FOR REFERENCE ONLY.
- TORQUE SET SCREWS TO 45 IN/LB

TO ORDER BURNDY® PRODUCTS CALL

UNITED STATES:  
1-800-346-4175 (LONDONDERRY, NH)

CANADA:  
1-800-361-6975 (QUEBEC)  
1-800-387-6487 (ALL OTHER PROVINCES)

FOR PRODUCT INFO: <http://www.burndy.com>

UNITAP™- PLASTISOL COVERED WIRE CONNECTORS	
ITEM NO: N/A	
CAT. NO: BIBS4-, SERIES	
DRAWN BY: J AYER	3/21/97
CHECKER: C CHADBOURNE	7/21/97
DSN APPVL: C CHADBOURNE	7/21/97
MFG APPVL: --	--
QA APPVL: J BRODEUR	7/28/97
MKT APPVL: P WERTHMAN	7/24/97
PROD FAM: --	SCALE: NTS
PROJECT #: --	DRAWING NO
DOCUMENT TYPE: Sales	SC210991
REL LEVEL: Released	SHEET 10 OF 15



REV: PE0200