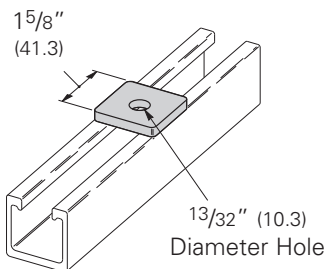


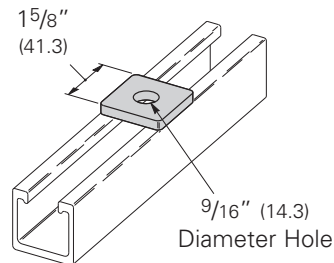
**BFV201**  
**Square Washer for 3/8" bolt**

- Material: Injection Molded Glass Reinforced Polyurethane



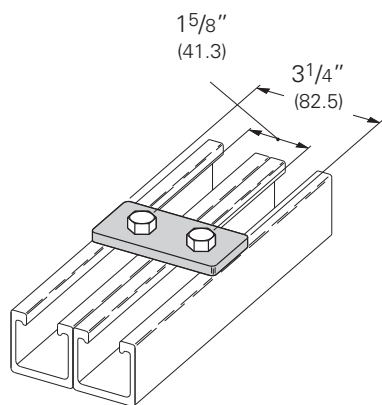
**BFV202**  
**Square Washer for 1/2" bolt**

- Material: Injection Molded Glass Reinforced Polyurethane



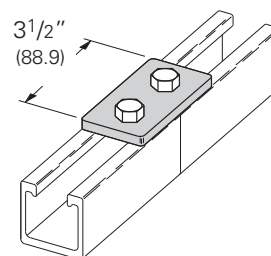
**BFV340**  
**Two Hole Flat Plate**

- Material: Injection Molded Glass Reinforced Polyurethane



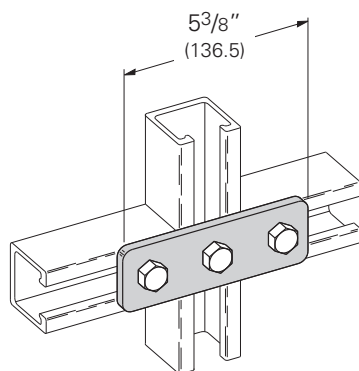
**BFV129**  
**Two Hole Splice Plate**

- Material: Injection Molded Glass Reinforced Polyurethane



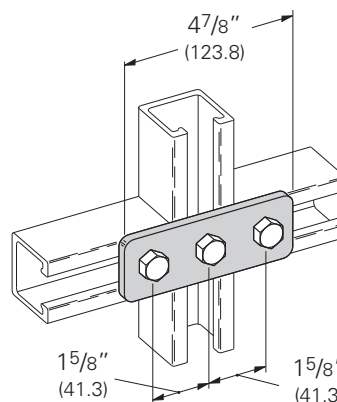
**BFV141**  
**Three Hole Flat Plate**

- Material: Injection Molded Glass Reinforced Polyurethane



**BFV557**  
**Three Hole Flat Plate**

- Material: Injection Molded Glass Reinforced Polyurethane



Reference page 183 for general fitting specifications.