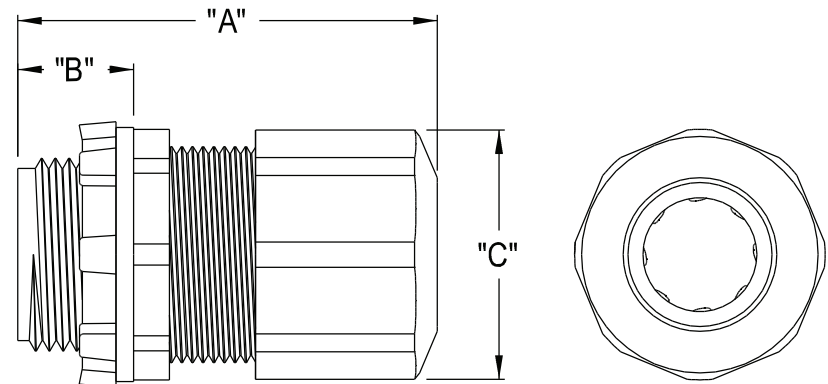
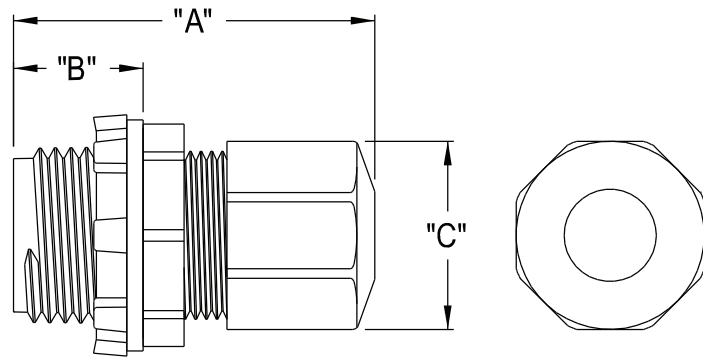


LPCG50 / LPCG503



LPCG757 / LPCG507



LPCG753 / LPCG754

LPCG757	3/4	2.250	.595	1.230	.385"-.750"
LPCG754	3/4	1.963	.595	.978	.200"-.472"
LPCG753	3/4	1.963	.595	.978	.100"-.300"
LPCG507	1/2	2.250	.595	1.230	.385"-.750"
LPCG50	1/2	1.792	.595	.978	.200"-.472"
LPCG503	1/2	1.792	.595	.978	.100"-.300"
PART NO.	TRADE SIZE	"A"	"B"	"C"	CABLE RANGE